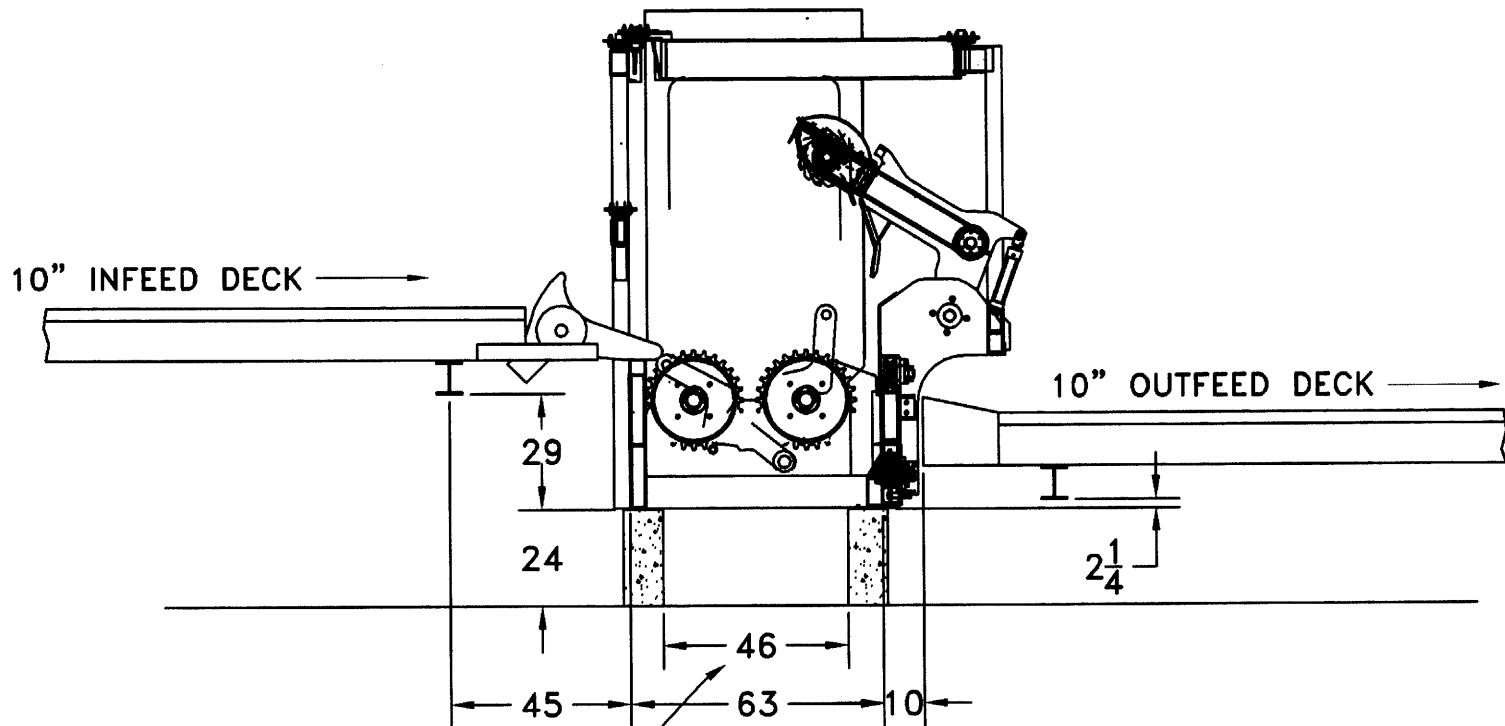


Z:\Standard Equipment Drawings\60 Dealer Equipment Drawings\70 Debarckers\70c 48 Debarckers\60-70C-A1.dwg_2/27/2003 11:13:05 AM, HP



Req'd for Cornell Bark Conveyor — DEBARKER 70C (48")

CAUTION:

Make certain that Debarker Style Stop & Loader Arm (which is attached to hydraulic cylinder) is supported in lowered position by the tubing alongside of Debarker.

Without support, log weight will bend or break cylinder shaft.

MELLOTT MFG. CO., INC		
SCALE 1/4"=1'	DATE 5/25/00	DRAWN BY drm
Debarker 70C (48")		
Elevation, Right Hand		