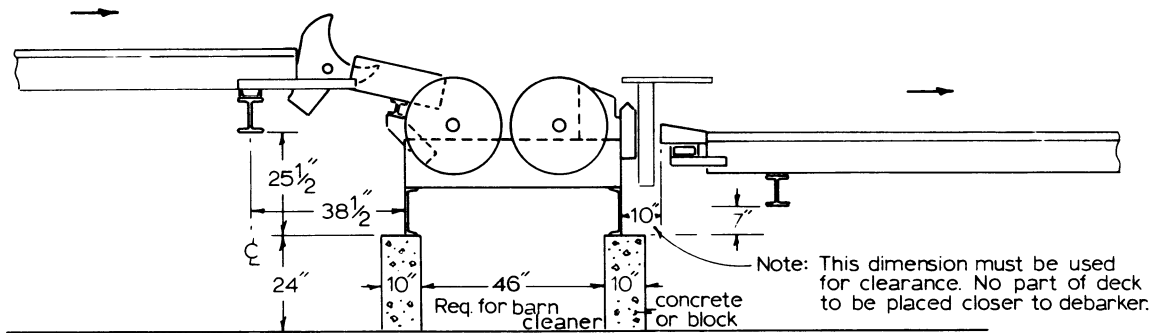


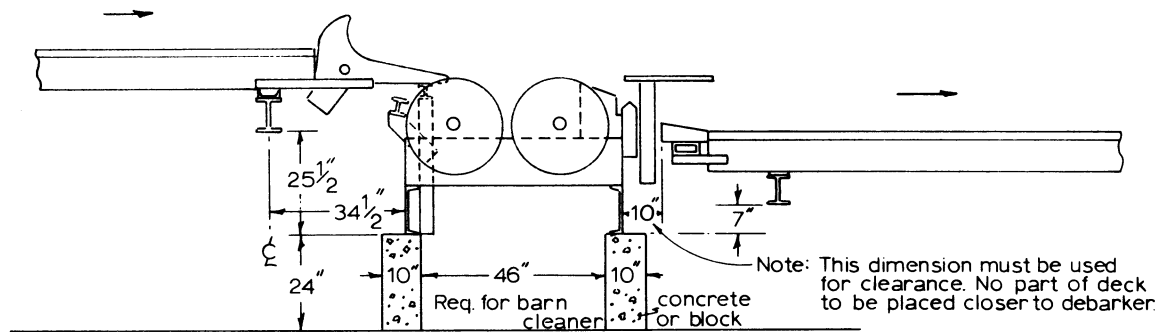
MELLOTT MFG. CO., INC.		
SCALE $\frac{1}{4}" = 1'-0"$	APPROVED BY	DRAWN BY JLP
DATE 2/15/82		
Debarer 200 (36') Installation		
Plan View		DRAWING NUMBER



LIVE DECK with
STOP & LOADER (std)
STUB NOSE SKIDS

DEBARKER 200(36")
& FOUNDATION

OUTFEED DECK



LIVE DECK with
STOP & LOADER
(debarker style)

DEBARKER 200(36")
& FOUNDATION

OUTFEED DECK

MELLOTT MFG. CO., INC.

SCALE: 1/4" = 1'-0" APPROVED BY: _____ DRAWN BY: JLP

DATE: 2/15/82

Debarker 200(36") Installation

Elevation

DRAWING NUMBER