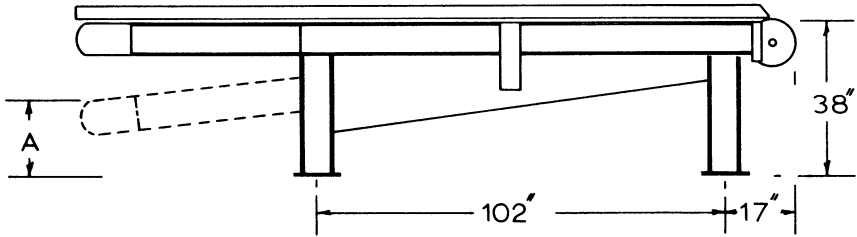
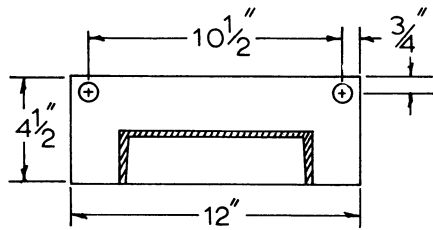


Carriage: Frick, Other  
Dim. B 45 1/2 44



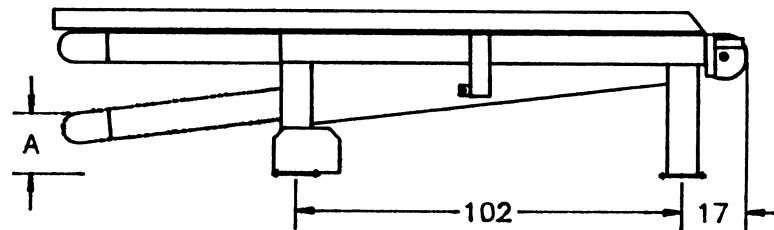
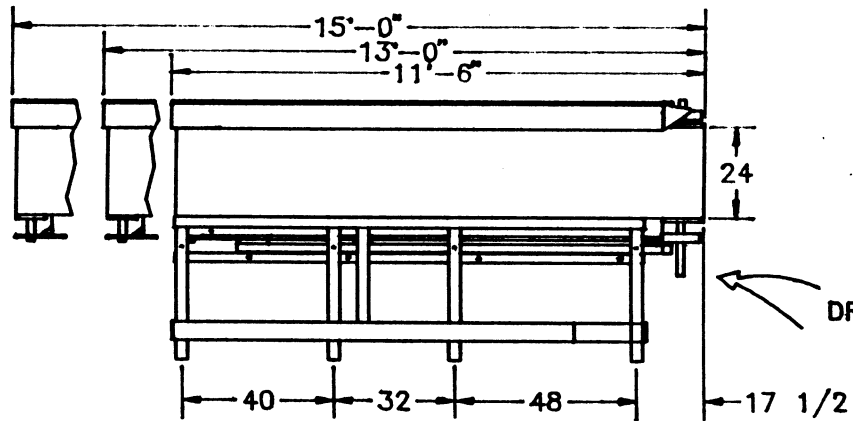
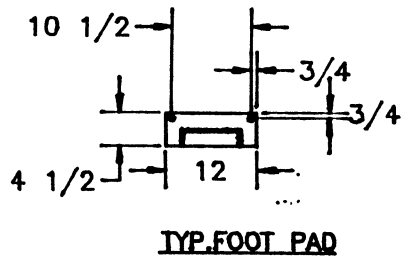
- LENGTH OF DROP BELT
- RIGHT or LEFT HAND MILL (RH shown)
- ELECTRIC LIVE ROLL DRIVE optional
- CONNECT TO OFFBEARER
- TYPE OF CARRIAGE
- - FRICK
- - OTHER

Length	15'-0"	13'-0"	11'-6"
Dim A	21"	19"	16"

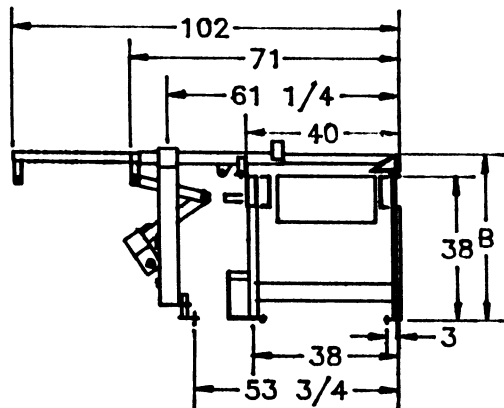


TYP. FOOT PAD

MELLOTT MFG. CO., INC.		
SCALE: 1/4" = 1'-0"	APPROVED BY	DRAWN BY JLP
DATE: 7-24-75		
Drop Belt Installation		DRAWING NUMBER



LENTH 15'-0" 13'-0" 11'-6"  
 DIM A 16" 19" 21"



MELLOTT MFG. CO., INC.	
SCALE 1/4"=1'	DESIGN BY RLH
DATE 10/2/82	
DROP BELT W/RETRACTING	
PINS INSTALLATION	DESIGNED BY DBI