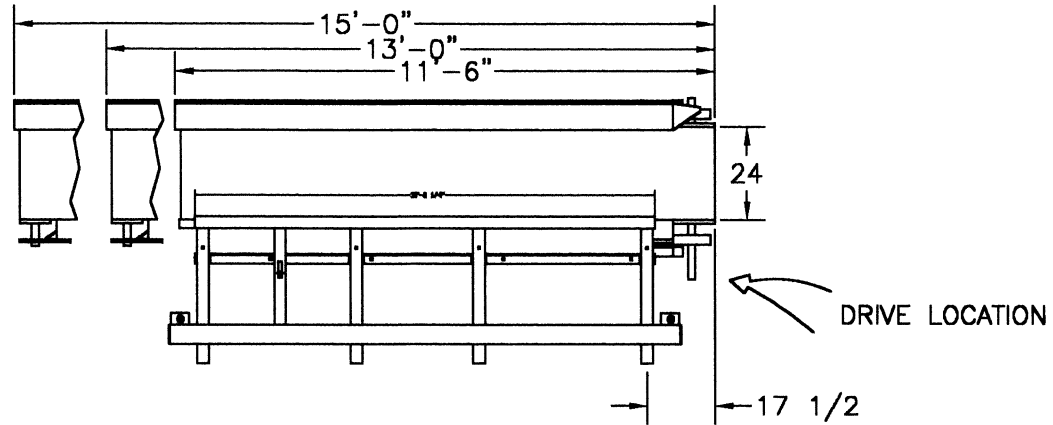
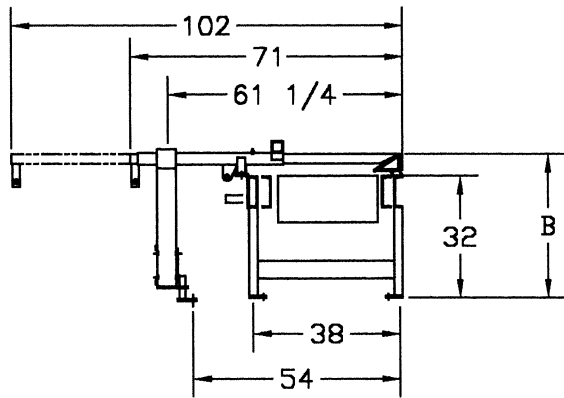
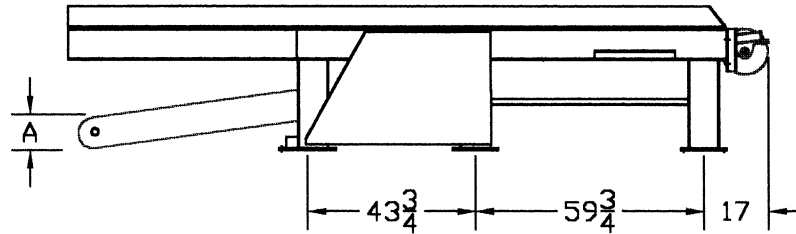


TYP. FOOT PAD



LENTH 15'-0" 13'-0" 11'-6"
 DIM A 9 1/2" 12 1/2" 15"



CARRIAGE: FRICK OTHER
 DIM.B 39 1/2" 38"

- LENGTH OF DROP BELT
- RIGHT OR LEFT HAND MILL (RH SHOWN)
- ELECTRIC LIVE ROLL DRIVE OPTIONAL
- CONNECT TO OFFBEARER
- TYPE OF CARRIAGE
- FRICK
- OTHER

MELLOTT MFG. CO., INC.	
SCALE 1/4"=1'	DRAWN BY RLH
DATE 6/08/97	
DROP BELT W/CAM ROLLERS &	
RETRACTING PINS INSTALLATION	DRAWING NUMBER DBI-C