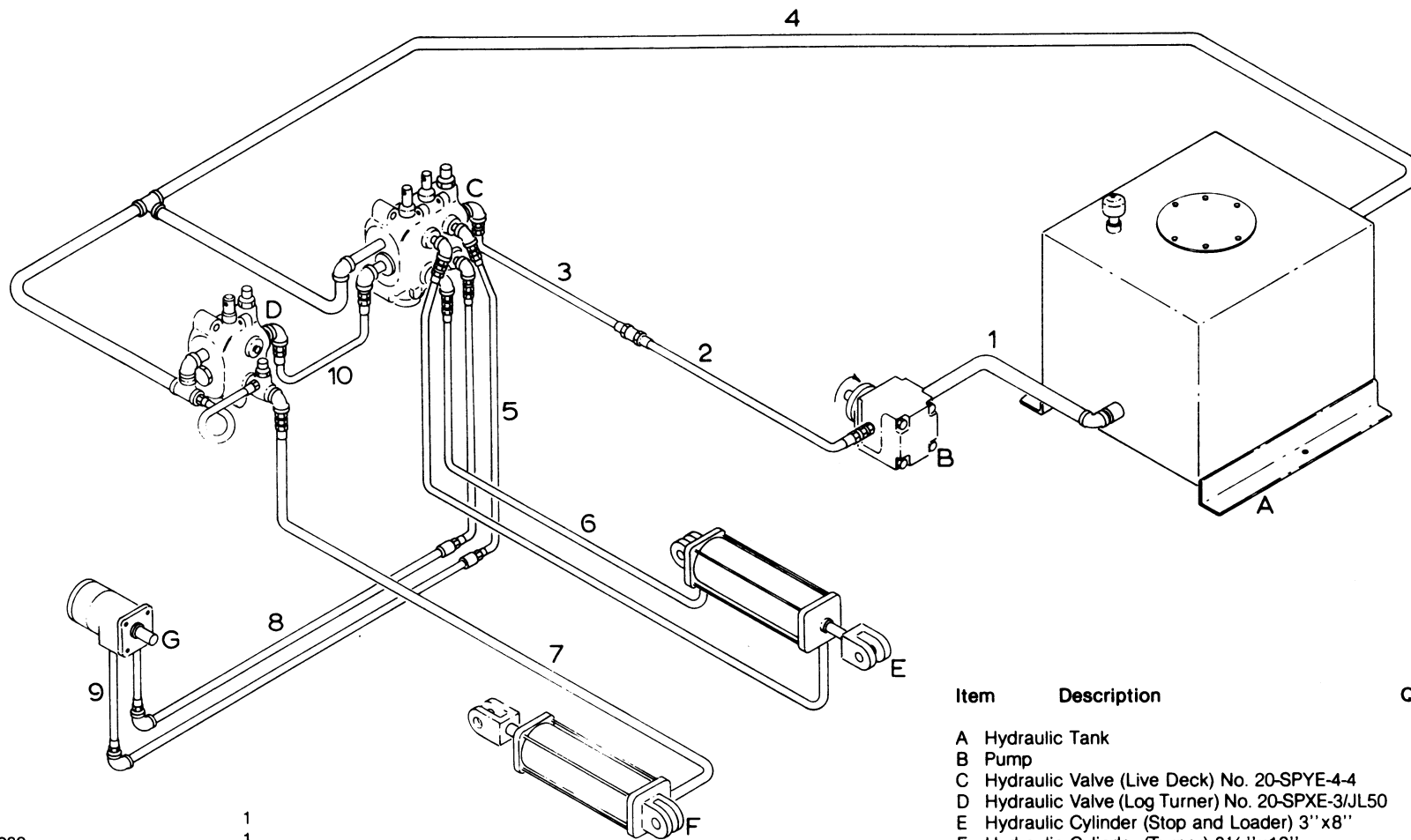


Item	Description	Qty.
A	Hydraulic Tank	1
B	Pump	1
C	Hydraulic Valve No. 20-SPXE-3/JL50	1
D	Hydraulic Cylinder 3½"x10"	1
1	1¼" suction hose	1
2	¾"x10' high pressure hose	1
3	¾"x6' high pressure hose	1
4	1" return hose	1
5	¾"x8' high pressure hose	1

MELLOTT MFG. CO. INC.		
SCALE	APPROVED BY	DRAWN BY JLP
DATE 11/79		
4A Log Turner		
HYDRAULIC CIRCUIT		DRAWING NUMBER



- | | | |
|----|------------------------------|---|
| 1 | 1-1/4" suction hose | 1 |
| 2 | 3/4 x 10' high pressure hose | 1 |
| 3 | 3/4 x 6' high pressure hose | 1 |
| 4 | 1" return hose | 3 |
| 5 | 1/2 x 10' high pressure hose | 2 |
| 6 | 1/2 x 16' high pressure hose | 2 |
| 7 | 3/4 x 8' high pressure hose | 1 |
| 8 | 1/2 x 10' pipe | 2 |
| 9 | 1/2 x 3' high pressure hose | 2 |
| 10 | 3/4 x 6' high pressure hose | 1 |

Item	Description	Qty.
A	Hydraulic Tank	1
B	Pump	1
C	Hydraulic Valve (Live Deck) No. 20-SPYE-4-4	1
D	Hydraulic Valve (Log Turner) No. 20-SPXE-3/JL50	1
E	Hydraulic Cylinder (Stop and Loader) 3" x 8"	1
F	Hydraulic Cylinder (Turner) 3 1/2" x 10"	1
G	Hydraulic Motor (Live Deck) No. 101-1006-007	1

MELLOTT MFG. CO. INC.		
SCALE	APPROVED BY	DESIGNED BY JLP
DATE 11/79		
4A Log Turner & Live Deck		
HYDRAULIC CIRCUIT		REVISION NUMBER