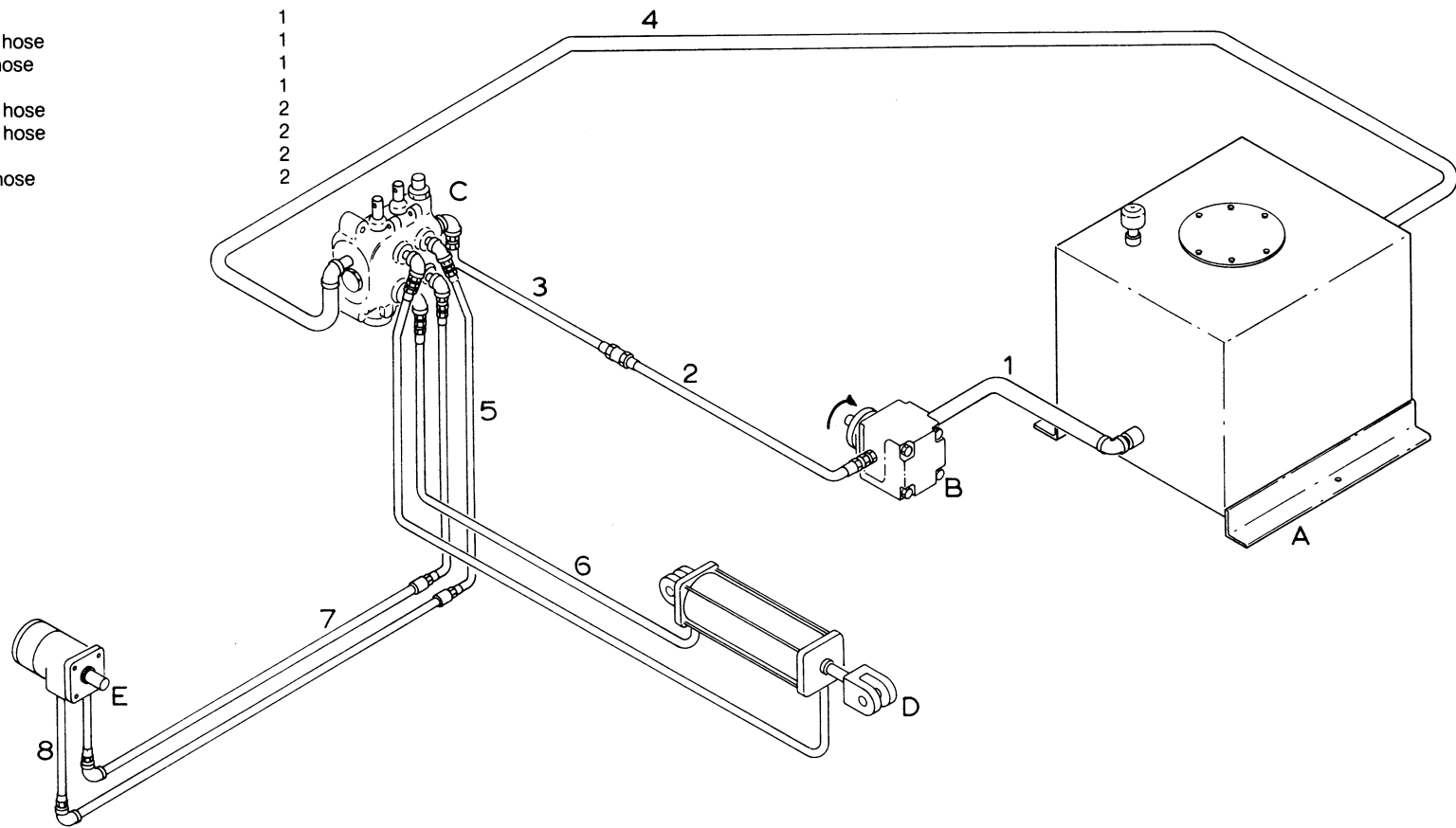
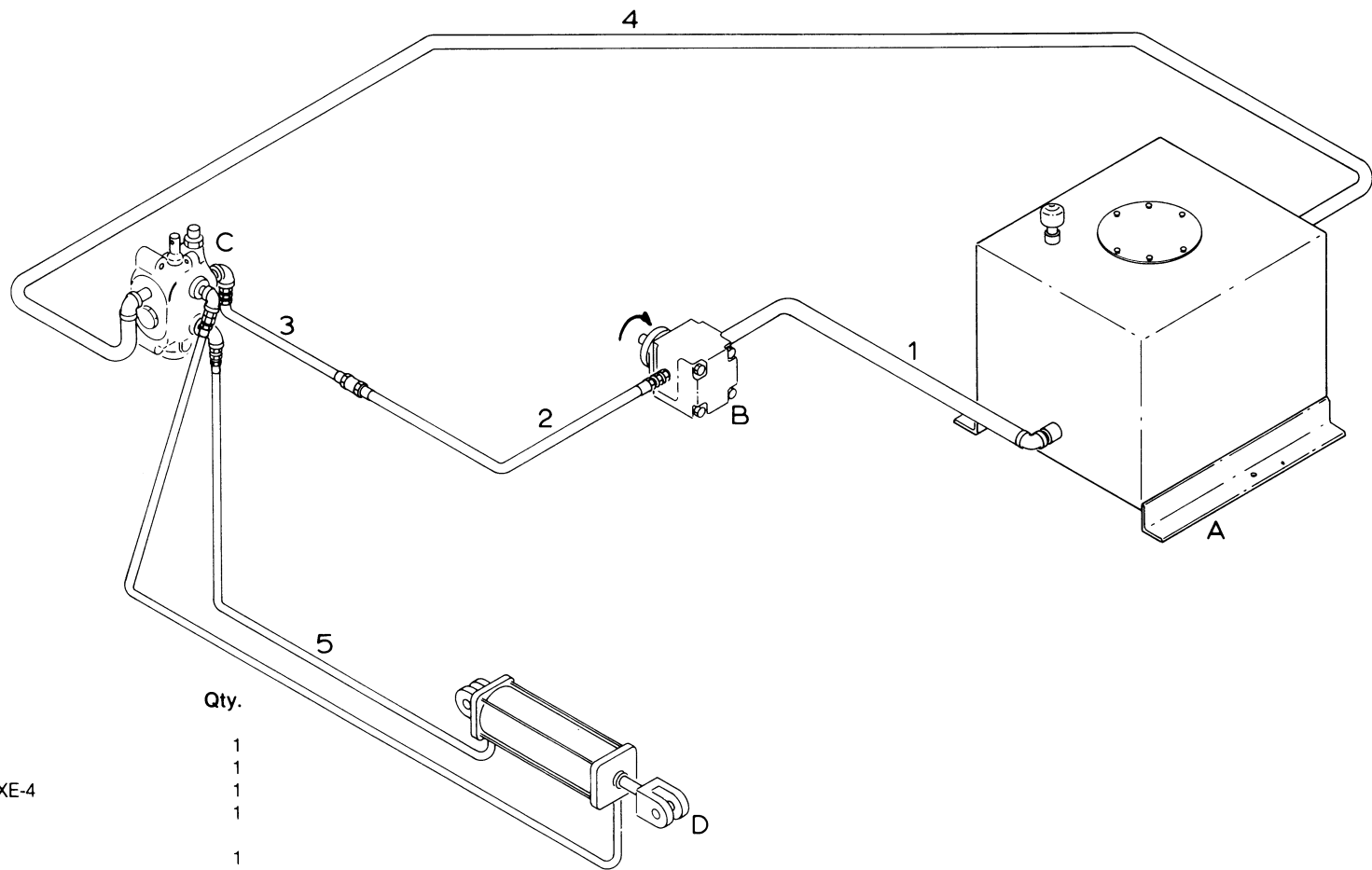


Item	Description	Qty.
A	Hydraulic Tank	1
B	Pump	1
C	Hydraulic Valve No. 20-SPXE 4-4	1
D	Hydraulic Cylinder 3"x8"	1
E	Hydraulic Motor No. 101-1006-007	1
1	1 1/4" suction hose	1
2	3/4 x 10' high pressure hose	1
3	3/4 x 6' high pressure hose	1
4	1" return hose	1
5	1/2 x 10' high pressure hose	2
6	1/2 x 16' high pressure hose	2
7	1/2 x 10' pipe	2
8	1/2 x 3' high pressure hose	2



MELLOTT MFG. CO. INC.		
SCALE	APPROVED BY	DRAWN BY J.L.P.
DATE 11/79		
LIVE DECK		DRAWING NUMBER
HYDRAULIC CIRCUIT		



Item	Description	Qty.
A	Hydraulic Tank	1
B	Pump	1
C	Hydraulic Valve No. 20-SPXE-4	1
D	Hydraulic Cylinder 3" x 8"	1
1	1 1/4" suction hose	1
2	3/4 x 10' high pressure hose	1
3	3/4 x 6' high pressure hose	1
4	1" return hose	1
5	1/2 x 16' high pressure hose	2

MELLOTT MFG. CO. INC		
SCALE	APPROVED BY	DRAWN BY JLP
DATE 11/79		
Stop & Loader		
HYDRAULIC CIRCUIT		DRAWING NUMBER