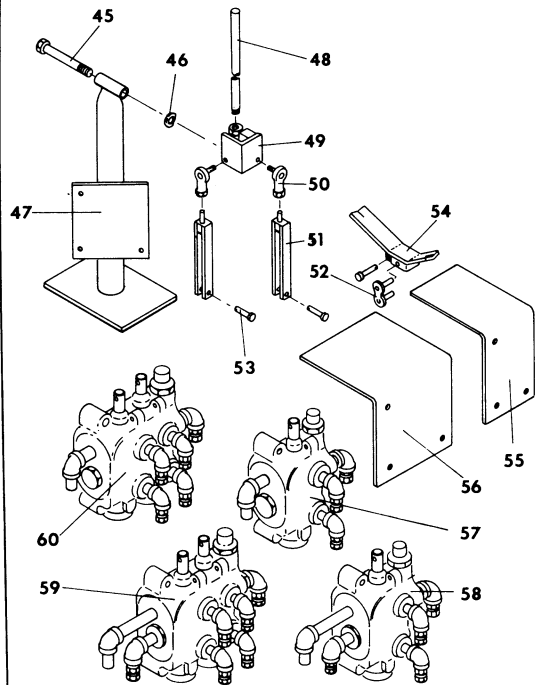


Hydraulic Valves & Mounts



Hydraulic Drive

Electric Drive

MELLOTT MFG. CO.		
SCALE 1/16"	APPROVED BY	DRAWN BY J.L.P.
Live Deck		DRAWING NUMBER

MELLOTT PARTS LIST - STEEL LIVE DECKS

REF. NO.	PART NO. 8" DECK	PART NO. 10" DECK	DESCRIPTION	QTY. REQ.
1	10-0301*	10-0301	Shield, Electric Drive*	1
2	04-0301*	04-0301	Roller Chain RC60-51 pitches	1
3	3/3V x 10.6	3/3V x 10.6	Sheave	1
4	SK 1-7/16	SK 1-7/16	Bushing	1
5	3/3V530	3/3V530	V Belt	1
6	SH 1-1/8	SH 1-1/8	Bushing	1
7	3/3V x 3.35	3/3V x 3.35	Sheave	1
8	5 H.P. 1800 RPM	5 H.P. 1800 RPM	Electric Motor	1
9	60B13 - 1-7/16	60B13 - 1-7/16	Sprocket 60B13	1
10	16-0301	16-0301	Shaft	1
11	NP 1-7/16	NP 1-7/16	Bearing, Pillow Block	2
12	10-4024	10-4024	Plate, Bearing	2
13	10-0302*	10-0602*	Torque Frame, * Electric Drive (No S & L - Hyd. S & L)	1
	10-0303*	10-0603*	Torque Frame, * Electric Drive (Air S & L)	1
14	G23SL	G34SL	Speed Reducer 30:1	1
	G23DL	----	Speed Reducer 16.5:1	
15	NP 2-7/16	SL 2-15/16	Bearing, Pillow Block	2,3,4
16	* * *	* * *	Shaft (Ref.)	1
17	18-7815-5	18-8216-6	Sprocket, 15 tooth	2,3,4
18	10-0304-5	10-0304-6	Cam, Breakdown (For Pkg. Deck)	2,3,4
19	60B36 - 1-1/4	60B36 - 1-1/2	Sprocket 60B36	1
20	10-0305	----	Set Collar	2
21	* * *	* * *	Stop & Loader (Ref.)	1
22	18-7812-5	18-8212-6	Sprocket, 12 tooth	2,3,4
23	D40-18-1-1/4"	D50-16-1-1/2"	Sprocket, Chain Coupling	1
24	D40	D50	Chain, Chain Coupling	1
25	D40-18-1"	D50-16-1"	Sprocket, Chain Coupling	1
26	D40-18	D50-16	Assembly, Chain Coupling	1
27	10-0306	10-0306	Bracket, Motor Mounting	1
28	101-1006-007	----	Hydraulic Motor (A5K)	1
	101-1008-007	101-1008-007	Hydraulic Motor (A5P)	
	103-1008-007	103-1008-007	Hydraulic Motor (A5PS)	
29	8M-8UAD	8M-8UAD	Swivel Adapter	2
30	10-0307	10-0607	Torque Frame, Hyd. Dr. (Hyd S & L)	1
	10-0308	10-0608	Torque Frame, Hyd. Dr. (Air S & L)	
31	WS78P	WS82P	Pin, Chain (Welded Steel)	
	H78P	H82P	Pin, Chain (Malleable)	
32	WS78	WS82	Chain, Welded Steel	
	H78	H82	Chain, Malleable	
33	10-0309	10-0609	Wear Strip (order by skid length)	
34	7108(3"x8")	10212(2-1/2"x12")	Cylinder, Hydraulic	1
	7008(2-1/2"x8")	----	Cylinder, Hydraulic	
	2800(6"x12")	2800(6"x12")	Cylinder, Air	
35	11-0301	11-0601	Cylinder Mounting Frame (Hyd)	1
	11-0302	11-0602	(Mounts to left side of skid)	
			Cylinder Mounting Frame (Air)	
			(Mounts to left side of skid)	
	11-0303	11-0603	Cylinder Mounting Frame (Hyd)	
			(Mounts to right side of skid)	
	11-0304	11-0604	Cylinder Mounting Frame (Air)	
			(Mounts to right side of skid)	
36	10-0310	10-0610	Nose Skid, Stub	2,3,4
37	10-0311	10-0611	Nose Skid, Standard	2,3,4
38	18-7809-0	18-8209-0	Sprocket, Idler	2,3,4
39	W223-5S	W223-5S	Set Collar	4,6,8
40	16-0302	16-0302	Shaft, Take-up	2,3,4
41	10-0312	10-0312	Bolt, Take-up	4,6,8
42	10-0313	10-0313	Nut Weldment, Take-up	4,6,8
43	11-0305	----	Tube, Take-up	4,6,8
44	10-0314	----	Assembly, Take-up	2,3,4
45	5/8 x 4-1/2	5/8 x 4-1/2	Bolt	1
46	10-0201	10-0201	Washer, Formed	1
47	10-0202	10-0202	Base, Valve Stand	1
48	10-0203	10-0203	Handle, Valve Stand	1
49	10-0204	10-0204	Rod End Bearing Weldment	1
50	CFS5B2	CFS5B2	Rod End Bearing	2
51	10-0205	10-0205	Fork, Valve Stand	2
52	928	928	Link	
53	553	553	Pin	
54	10-0315	10-0315	Pedal, Foot	1,2
55	10-0316	10-0316	Bracket Single Spool Valve	1
56	10-0317	10-0317	Bracket 2 Spool Valve	1
57	20-SPXE-4	20-SPXE-4	Valve 1 Spool	1
58	20-SPYE-4	20-SPYE-4	Valve 1 Spool w/ Power Beyond	
59	20-SPYE 4-4	20-SPYE 4-4	Valve 2 Spool w/ Power Beyond	
60	20-SPXE 4-4	20-SPXE 4-4	Valve 2 Spool	
N/S	546	546	Valve Stand, Complete	1

* Note: For Left Hand Drives use L.H. as Part Number Suffix.

** Complete Description, Hand of Drive & Sizes are necessary to order Shafts, Stop & Loaders, Sills & Skids.

For Live Decks with other than 5 H.P. electric motors - Ref. #6 may have a different bore size.