

PARTS LISTS

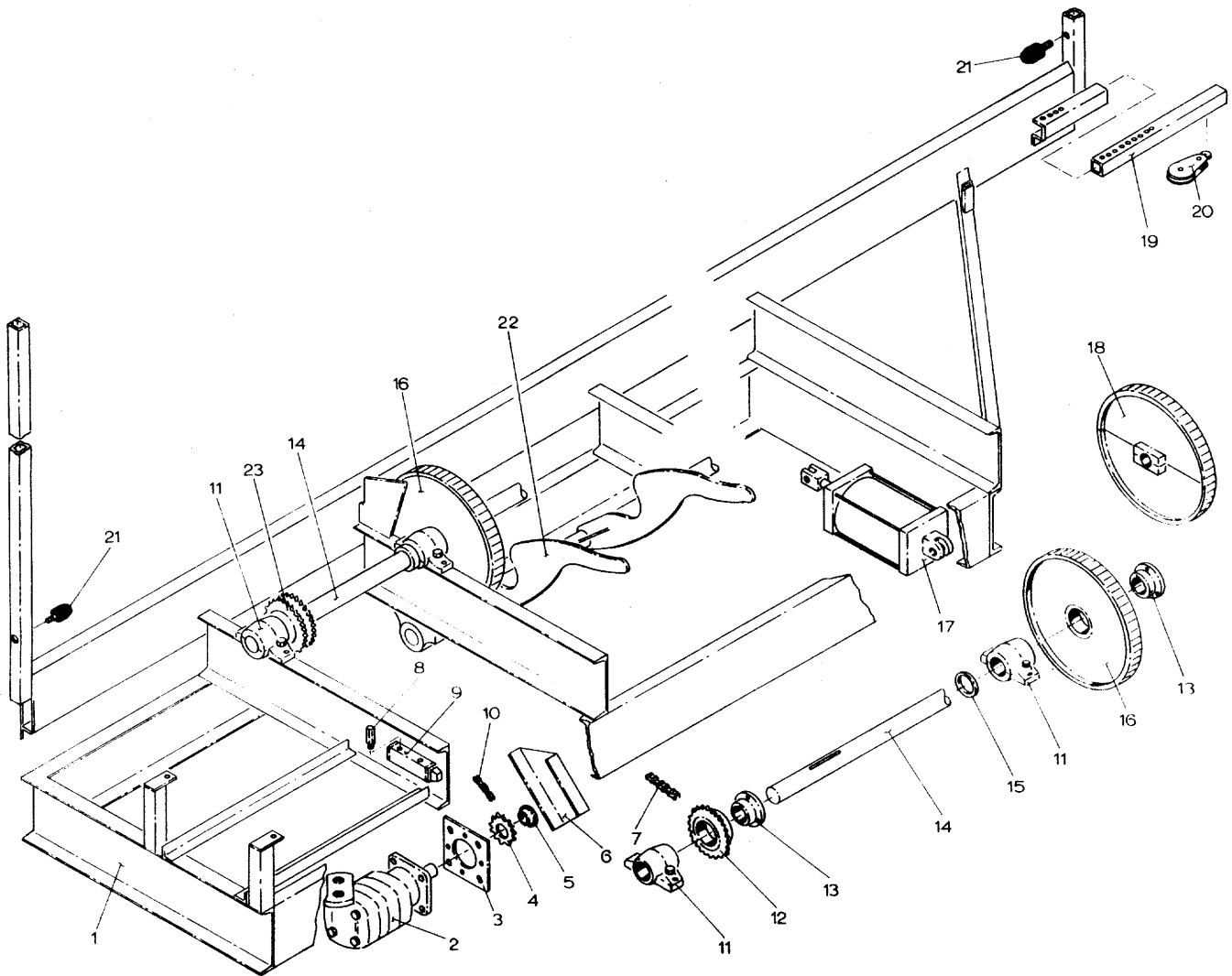
DEBARKER (36")

MODEL #200-5

SERIAL NO. _____

MELLOTT MANUFACTURING CO., INC.
13156 Long Lane
Mercersburg, PA 17236

MAIN FRAME



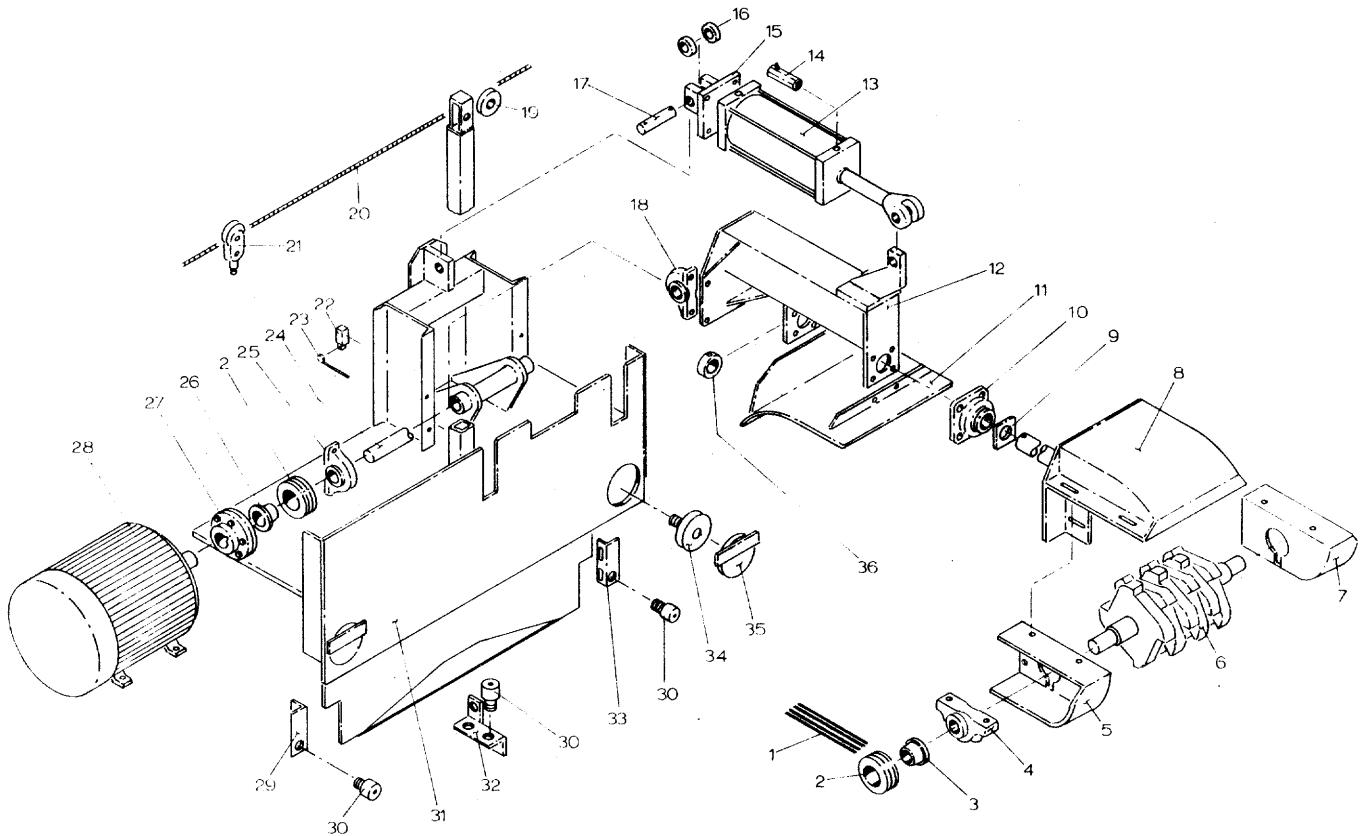
PARTS LIST

| <u>REF. NO.</u> | <u>PART NO.</u> | <u>DESCRIPTION</u> | <u>QUANTITY</u> |
|-----------------|-----------------|-----------------------------|-----------------|
| 1 | 10-20030 | Main Frame | 1 |
| 2 | 119-1031-002 | Hydraulic Motor | 1 |
| 3 | 10-20028 | Plate, Hydraulic Motor Mtg. | 1 |
| 4 | H100Q12 | Sprocket | 1 |

MAIN FRAME PARTS LIST

| <u>REF. NO.</u> | <u>PART NO.</u> | <u>DESCRIPTION</u> | <u>QUANTITY</u> |
|---------------------|---------------------|-------------------------------|-----------------|
| 5 | Q1 2-1/4 | Bushing | 1 |
| 6 | 10-20029 | Shield | 1 |
| 7 | 04-20001 | Roller Chain RC100 68 pitches | 1 |
| 8 | 266A | Exhaust Restrictor 1/2 | 2 |
| 9 | S4K0AAL5 | Valve, Solenoid Air 3/4 | 1 |
| 10 | 04-20003 | Roller Chain RC100 73 pitches | 1 |
| 11 | 2-1247 2-15/16 | Bearing | 17 |
| 12 | 18-10024-6 | Sprocket | 1 |
| 13 | B1 2-15/16 | Bushing | 14 |
| 14 | 16-20080 | Shaft | 2 |
| 15 | 10-20002 | Set Collar | 6 |
| 16 | 10-20001 | Bull Wheel | 12 |
| 17 | 5000 | Air Cylinder 8 x 12 | 1 |
| 18 | 10-20031 | Split Bull Wheel | |
| 19 | 10-20024 | Tube, Take-up | 1 |
| 20 | L5T 3/8 | Tail Board | 1 |
| 21 | 540 | Rubber Bumper | 2 |
| 22 | 10-20004 | Kickoff Weldment | 1 |
| 23 | 18-10024D-6 | Sprocket | 1 |

CARRIAGE (200-5)



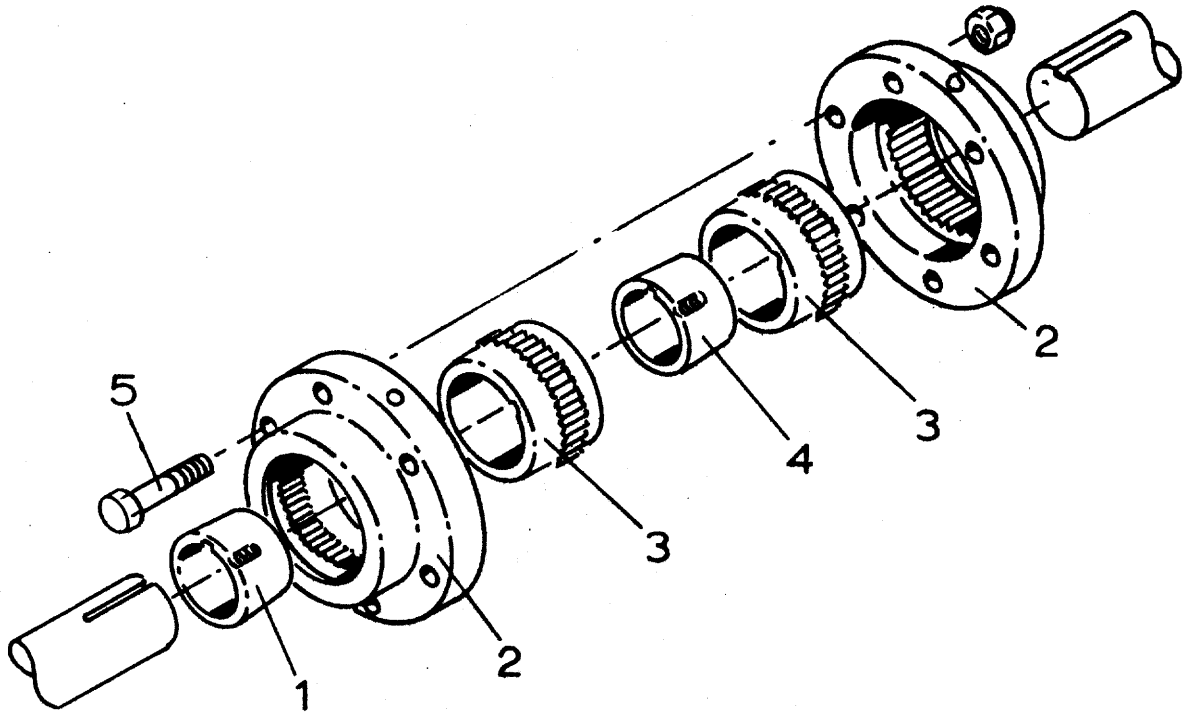
PARTS LIST

| <u>REF. NO.</u> | <u>PART NO.</u> | <u>DESCRIPTION</u> | <u>QUANTITY</u> |
|-----------------|-----------------|--------------------|-----------------|
| 1 | B98 | V-Belt | 8 |
| 2 | 4B x 5.6 | Sheave | 4 |
| 3 | SD 1-15/16 | Bushing | 2 |
| 4 | RPB-203-2 | Bearing | 2 |
| 5 | 10-20043 | Shield, Housing LH | 1 |
| 6 | 10-20022 | Cutter Head | 1 |
| 7 | 10-20044 | Shield, Housing RH | 1 |
| 8 | 10-20045 | Head, Housing | 1 |
| 9 | 10-20019 | Washer, Plastic | 1 |

CARRIAGE (200-5) PARTS LIST

| <u>REF. NO.</u> | <u>PART NO.</u> | <u>DESCRIPTION</u> | <u>QUANTITY</u> |
|-----------------|--|-----------------------------|-----------------|
| 10 | F30231H SC 1 ⁵ / ₁₆ | Bearing 1-15/16 H.B. | 2 |
| 11 | 10-20017 | Shield | 1 |
| 12 | 10-20040 | Frame, Head Housing Support | 1 |
| 13 | MPII | Air Cylinder 5" x 14" | 1 |
| 14 | F30S | Flow Restrictor | 2 |
| 15 | 10-20042 | Clevis, Base End | 1 |
| 16 | FS55505 | Bearing | 2 |
| 17 | 10-20041 | Pin | 1 |
| 18 | PB250 2-7/16 | Bearing | 2 |
| 19 | 3-1 | Sheave 3" OD | 1 |
| 20 | 1/4 | Cable 1/4" | 1 |
| 21 | T-2 | Carrier, Trolley | 8 |
| 22 | 802T-AP | Limit Switch | 1 |
| 23 | 802T-W3 | Rod Lever | 1 |
| 24 | 16-20048 1 ³ / ₄ | Shaft | 1 |
| 25 | RASC 1-3/4 | Bearing | 2 |
| 26 | SD 1-3/4 | Bushing | 2 |
| 27 | 2W | Coupling | 1 |
| 28 | 30HP/1800 RPM | Electric Motor | 1 |
| 29 | 10-20010 | Bracket, Mounting LH | 1 |
| 30 | PLR-2-1/2 | Load Runner | 4 |
| 31 | 10-20039 | Carriage | 1 |
| 32 | 10-20012 | Bracket, Mounting | 1 |
| 33 | 10-20013 | Bracket, Mounting RH | 1 |
| 34 | VLR- 5-1/2 | Load Runner V-Groove | 2 |
| 35 | 10-20014 | Cover Plate | 2 |
| 36 | 10-20015 | Set Collar | 1 |

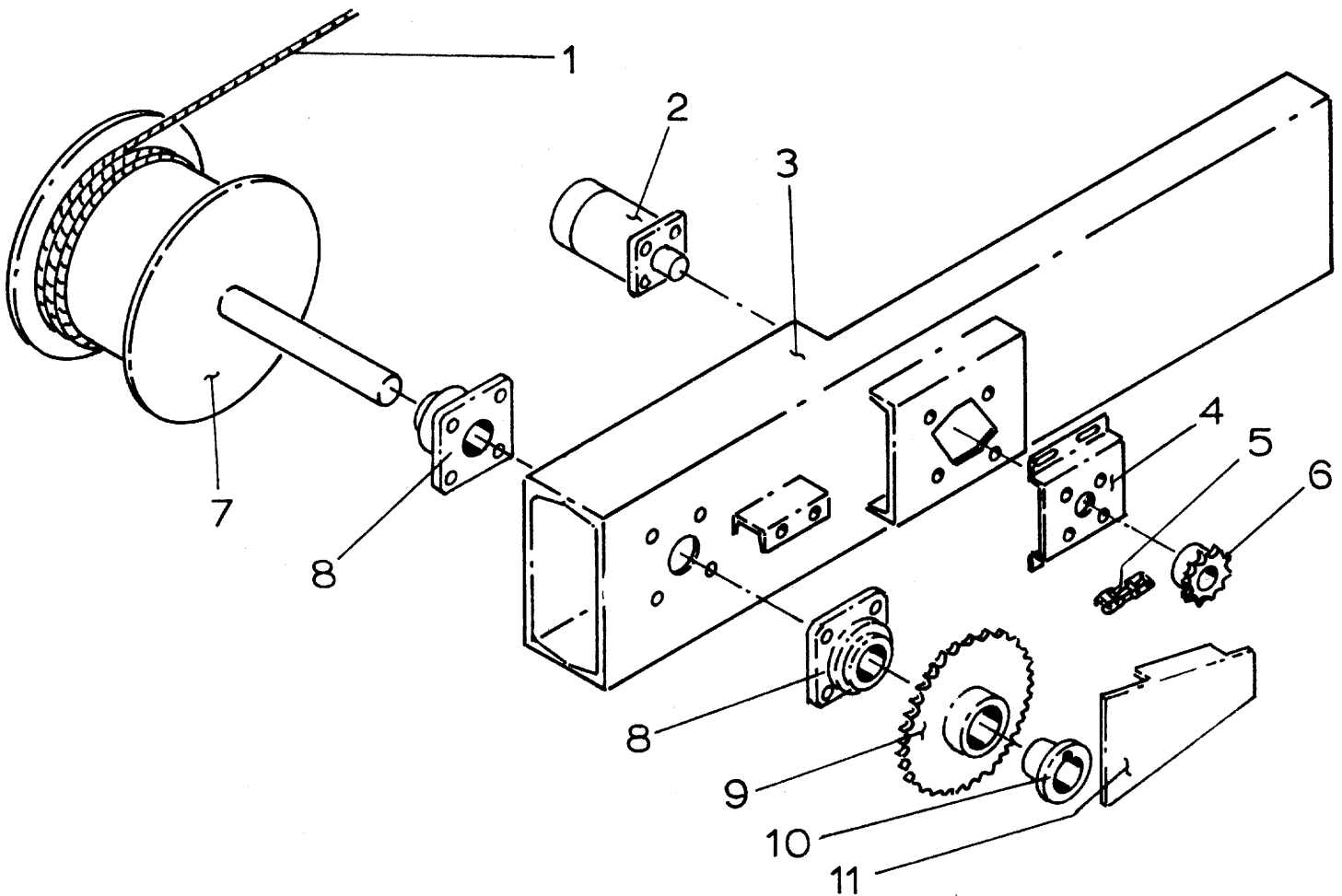
GEAR COUPLING



PARTS LIST

| <u>REF. NO.</u> | <u>PART NO.</u> | <u>DESCRIPTION</u> | <u>QTY.</u> |
|-----------------|-----------------|--------------------------------|-------------|
| 1 | 2012 | Bushing 1-7/8" | 1 |
| 2 | 149312/2W | Sleeve Assembly, Gear Coupling | 2 |
| 3 | 008502/2W | Taper Lock Hub, Gear Coupling | 2 |
| 4 | 2012 | Bushing 1-3/4" | 1 |
| 5 | 149777/2W | Accessory Kit, Gear Coupling | 1 |

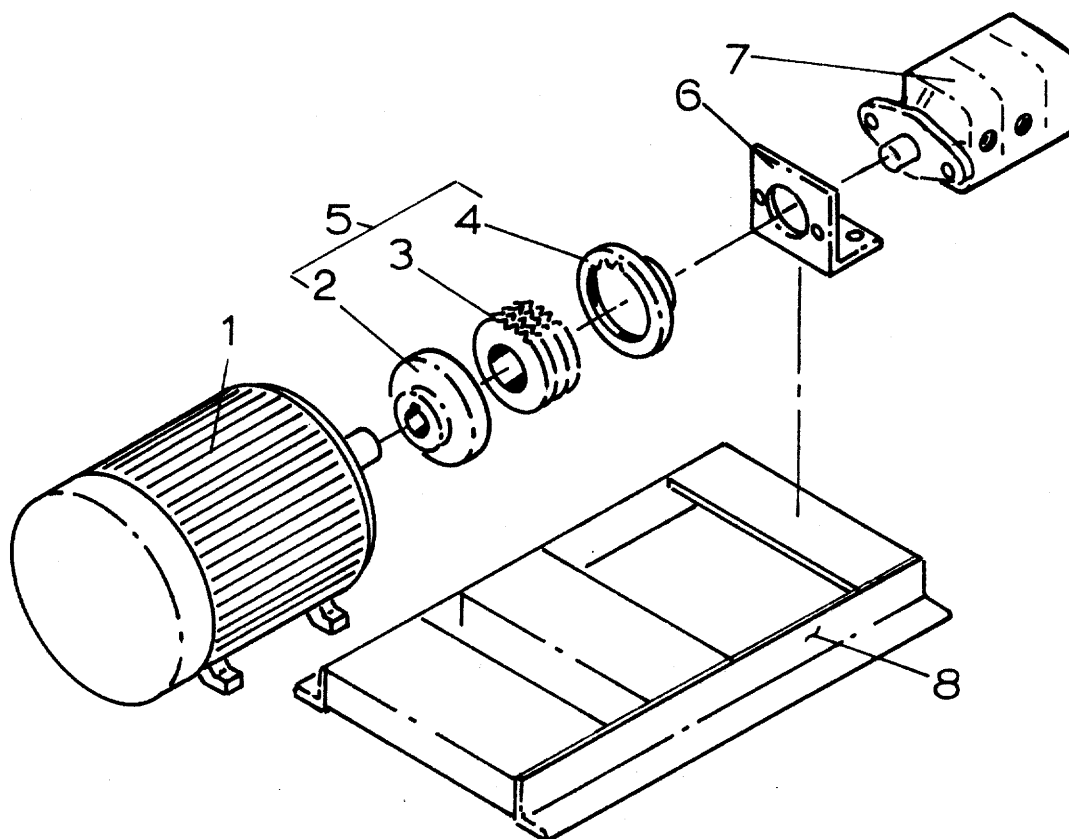
CARRIAGE DRIVE



PARTS LIST

| <u>REF. NO.</u> | <u>PART NO.</u> | <u>DESCRIPTION</u> | <u>QTY.</u> |
|-----------------|-------------------------------|-------------------------------|-------------|
| 1 | 3/8" x 98' | Cable 3/8" | 1 |
| 2 | 101-1004-007 | Hydraulic Motor | 1 |
| 3 | 10-20007 | Frame, Cable Drum | 1 |
| 4 | 10-20027 | Bracket, Hydraulic Motor Mtg. | 1 |
| 5 | 04-20002 | Roller Chain RC 60 81 pitches | 1 |
| 6 | 60B13 60SH14H/SH1" | 1" Sprocket w/ Bushing | 1 |
| 7 | 10-20008 | Cable Drum | 1 |
| 8 | SF 1-15/16" | Bearing | 2 |
| 9 | 60Q-45 | Sprocket | 1 |
| 10 | Q1 1-15/16" | Bushing | 1 |
| 11 | 10-20006 | Shield | 1 |

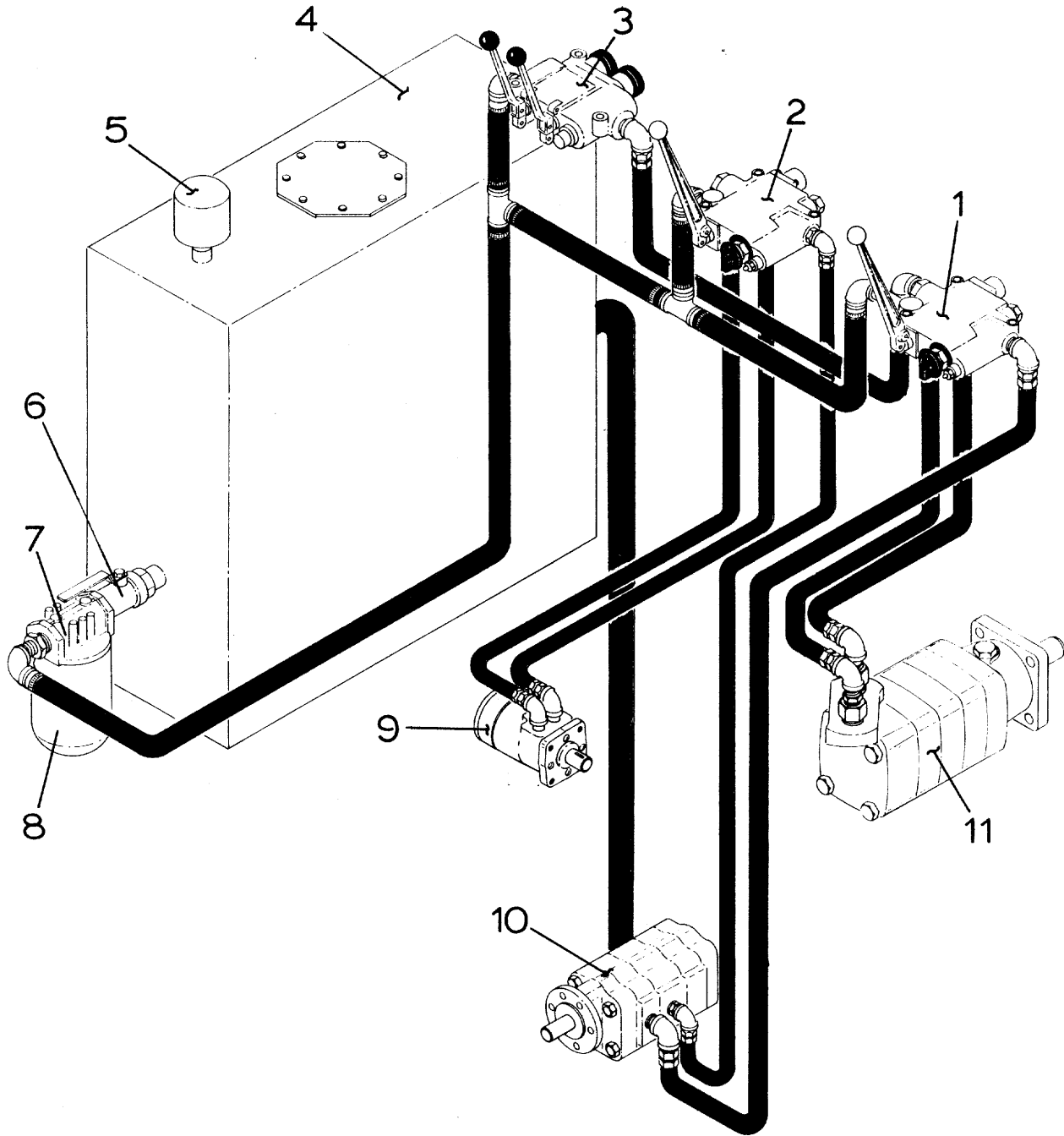
HYDRAULIC POWER SOURCE



PARTS LIST

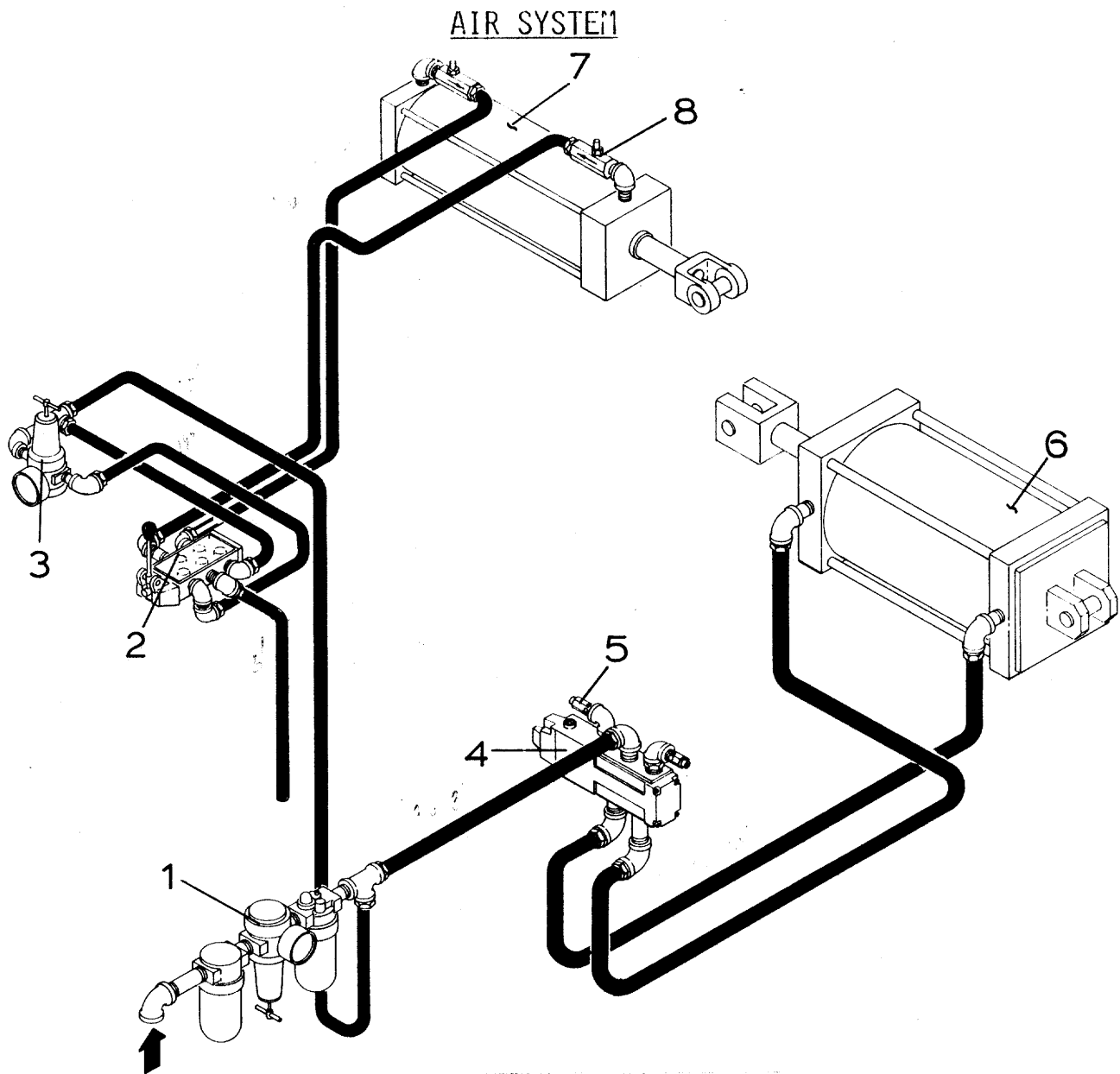
| <u>REF. NO.</u> | <u>PART NO.</u> | <u>DESCRIPTION</u> | <u>QTY.</u> |
|-----------------|------------------|------------------------|-------------|
| 1 | 15HP/1800RPM | Electric Motor | 1 |
| 2 | 8S 1-5/8" | Flange, Coupling | |
| 3 | 8JE | Sleeve, Coupling | |
| 4 | 8S 1" | Flange, Coupling | |
| 5 | 8 | Flex Coupling Complete | 1 |
| 6 | 10-20035 | Bracket, Pump Mounting | 1 |
| 7 | P30B294BIEC10-43 | Pump | 1 |
| 8 | 10-1502 | Base, Motor | 1 |

HYDRAULIC SYSTEM



PARTS LIST

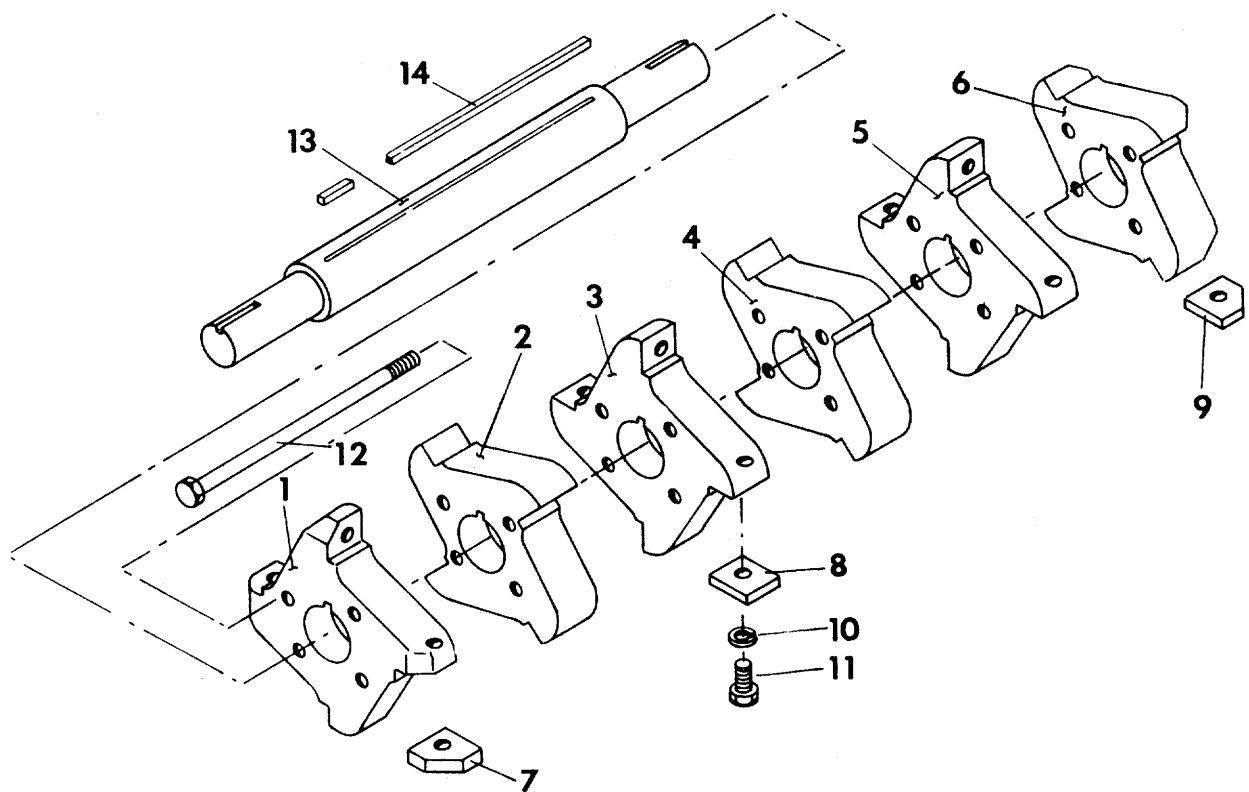
| REF. NO. | PART NO. | DESCRIPTION | QTY. |
|-------------|-------------------|-------------------------------|------|
| 1 | BC5BQIE4B0 | Valve, Hydraulic | 1 |
| 2 | BC5AF32B0 | Valve, Hydraulic | 1 |
| 3 | 20-SPXE 4-4 | Valve, Hydraulic | 1 |
| 4 | 10-20009 | Hydraulic Tank (includes #5) | 1 |
| 5 | TB-764 | Breather | 1 |
| 6 | B6000 | Valve | 1 |
| 7 | FS251-100E | Filter (complete w/cartridge) | 1 |
| 8 | K23018 | Filter Cartridge | 1 |
| 9 | 101-1004-007 | Hydraulic Motor | 1 |
| 10 | P30B294BIEC 10-43 | Pump | 1 |
| 11 | 119-1031-002 | Hydraulic Motor | 1 |
| N/S | M-340 | Internal Oil Filter | 1 |



PARTS LIST

| <u>REF. NO.</u> | <u>PART NO.</u> | <u>DESCRIPTION</u> | <u>QTY.</u> |
|-----------------|-----------------|-------------------------------|-------------|
| 1 | 07A44A18A1BA | Filter, Regulator, Lubricator | 1 |
| 2 | S3LOJCX4 | Valve, Air | 1 |
| 3 | P78520 | Nut | 1 |
| | 06R213A | Regulator | 1 |
| | P781642 | Gauge | 1 |
| 4 | S4K0AAL5 | Valve, Solenoid Air 3/4" | 1 |
| 5 | 266A | Exhaust Restrictor 1/2" | 2 |
| 6 | 5000 | Air Cylinder 8 x 12" | 1 |
| 7 | MPII | Air Cylinder 5 x 14" | 1 |
| 8 | F30S | Flow Restrictor | 2 |

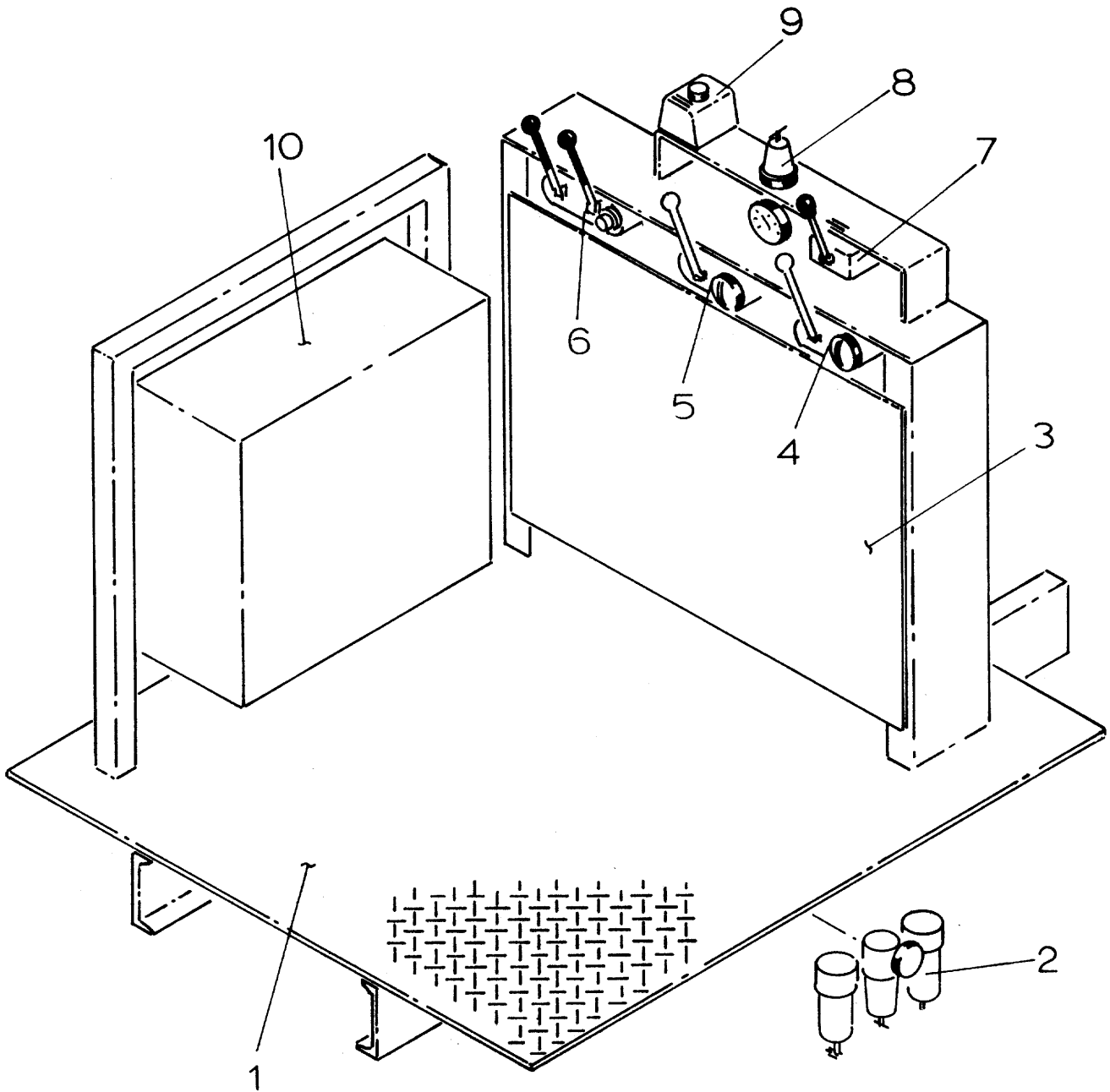
CUTTER HEAD (10-20034)



PARTS LIST

| <u>REF. NO.</u> | <u>PART NO.</u> | <u>DESCRIPTION</u> | <u>QUANTITY</u> |
|-----------------|-----------------|--------------------------------|-----------------|
| 1 | 10-20022-1 | Segment, Cutter #1 | 1 |
| 2 | 10-20022-2 | Segment, Cutter #2 | 1 |
| 3 | 10-20022-3 | Segment, Cutter #3 | 1 |
| 4 | 10-20022-4 | Segment, Cutter #4 | 1 |
| 5 | 10-20022-5 | Segment, Cutter #5 | 1 |
| 6 | 10-20022-6 | Segment, Cutter #6 | 1 |
| 7 | 10-20022-7 | Bits, Cutter LH (Summer Req.) | 4 |
| 8 | 10-20022-8 | Bits, Cutter STR (Summer Req.) | 16 |
| 9 | 10-20022-9 | Bits, Cutter RH (Summer Req.) | 4 |
| 10 | 10-20022-10 | Lock Washer | 24 |
| 11 | 10-20022-11 | Cap Screw | 24 |
| 12 | 10-20022-12 | Tie Bolt | 4 |
| 13 | 10-20034-13 | Shaft | 1 |
| 14 | 10-20022-14 | Key | 1 |

OPERATOR'S PLATFORM



OPERATOR'S PLATFORM

PARTS LIST

| <u>REF. NO.</u> | <u>PART NO.</u> | <u>DESCRIPTION</u> | <u>QUANTITY</u> |
|---------------------|----------------------------------|-------------------------------|-----------------|
| 1 | 10-20026 | Platform, Operator | 1 |
| 2 | 07A44A18A1BA | Filter, Regulator, Lubricator | 1 |
| 3 | 10-20025 | Cover, Control Stand | 1 |
| 4 | BC5BQ1E4B0 BC5BQ1E4B0 | Valve, Hydraulic | 1 |
| 5 | BC5AF32B0 BC5AF32B0 | Valve, Hydraulic | 1 |
| 6 | 20-SPXE 4-4 | Valve, Hydraulic | 1 |
| 7 | S3LOJCX4 | Valve, Air | 1 |
| 8 | P78520 | Nut | 1 |
| | 06R213A | Regulator | 1 |
| | P781642 | Gauge | 1 |
| 9 | 800T-B2A | Push Button Switch | 1 |
| 10 | | Combination Starter | 1 |
| | CHB-38-20011 | Relay | 1 |
| | RB11-PC | Socket | 1 |
| | S30021-503-51 | Transformer | 1 |
| | AP2 | Fuse Holder | 1 |
| | MDX5 | Fuse | 1 |

200-2, 200-3, 200-4, 200-5