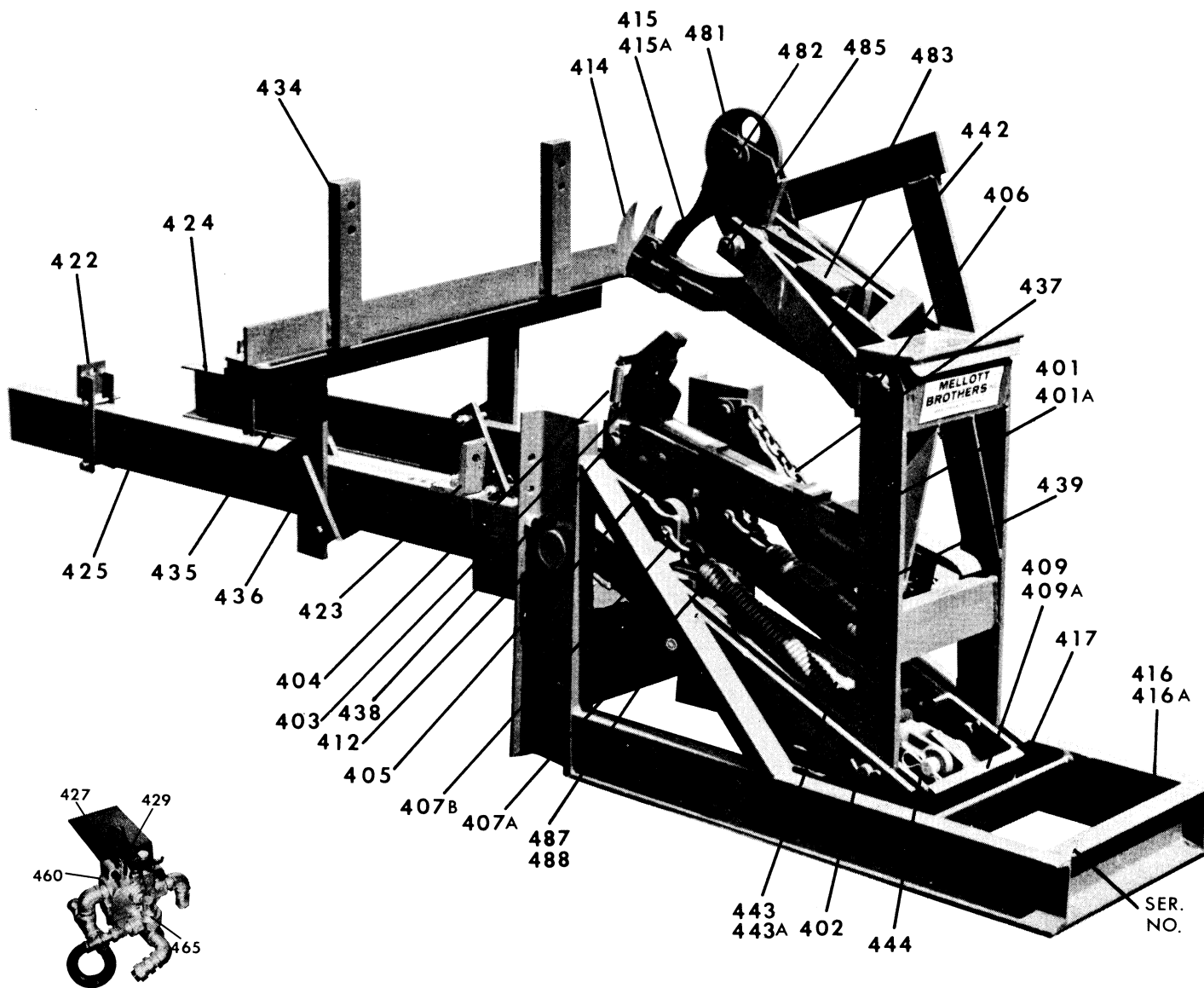


MELLOTT Illustrated Parts List

Model 4 & 4-A Log Turner



Model 4 & 4-A Log Turner

Parts List

Part No.	Description	No. Req'd
401	Vertical Lifting Frame	1
401A	Vertical Lifting Frame (above Ser. No. 654A1)	1
402	Vertical Lifting Frame Bottom Pin	2
403	Ratchet Pawl Arm	1
404	Ratchet Pawl Arm Spring	1
405	Extendible Link with Ratchet	1
406	Vertical Lifting Frame Top Pin	1
407	Return Spring (with Attachment Bolt) (Used on Model 4 below Ser. No. 654A1)	1
407A	Return Spring (With Swivel Hooks)	2
407B	Return Spring Clevis	2
409	Cylinder Mounting Frame	1
409A	Cylinder Mounting Frame (above Ser. No. 654A1)	1
412	Cylinder Mounting Frame Sleeve	1
414	Log Engaging Prong	1
415	Log Engaging Wheel (used below Ser. No. 654A1)	1
415A	Log Engaging Wheel Only (above Ser. No. 654A1)	1
415B	Log Engaging Wheel with Parts 481, 482, 483, and 485 included	1
416	Main Frame	1
416A	Main Frame (above Ser. No. 654A1)	1
417	Rubber Pad (not visible in picture)	1
422	Sliding Mounting Bracket (with bolts)	2
423	Mounting Brackets (with bolts)	2
424	Left Frame Extension	1
425	Right Frame Extension	1
427	Foot Control Valve Bracket	1
429	Foot Pedal	1
434	Anti-Derail Attachment (Carriage)	1
435	Anti-Derail Attachment (Log Turner)	1
436	Anti-Derail Clamp (with Bolts)	4
437	Travel Limit Chain (with Attachment Bolts, Spacers, etc.)	1
438	Extendible Link to Frame, Pin	1
439	Extendible Link to Vertical Lifting Frame, Pin (not shown in picture)	1
442	Engaging Wheel Support (use Pin 406 for bottom attachment)	1
443	Cylinder – 3½" (with Fittings and Attachment Pins with Locks) (use Cylinder Mfrs. Parts List for Parts)	1
443A	Cylinder – 3½" (above Ser. No. 654A1) – (with Fittings and Attachment Pins with Locks) – (use Cylinder Mfrs. Parts List for Parts)	1
444	Cylinder Attachment Pin with Lock	2
460	Foot Control Valve Complete with All Fittings – (without Part No. 427) (use Valve Mfrs. Parts List for Parts) (Includes Part No. 465)	1
465	Excess Pressure Release – (Complete with Hose, Fittings, etc.)	1
481	Log Engaging Sub Wheel	1
482	Log Engaging Sub Wheel Pin	1
483	Log Engaging Wheel Stop (with Attachment Bolt)	1
485	Log Engaging Wheel Attachment Bolt	1
487	Restrictor (Fixed) Controls maximum speed in up motion but allows free lowering	1

3/4" High-Pressure Hose with Fittings – 8' length
 3/4" Unions for High-Pressure Hose

NOTE: All Hydraulic Items are of highest grade and are furnished by responsible manufacturers. The local distributor of these items can save time and money on repair parts and service.