



LOG AND LUMBER HANDLING EQUIPMENT

DROP BELT



13' Long Drop Belt, Right Hand With Drive

FEATURES

The Mellott Drop Belt is designed to remove slabs by conveying them onto a conveyor that is located under the rollcase line.

Operated by dual air cylinders, the Drop Belt is lowered for slab removal and raised for lumber and cants to continue on the rollcase line for other operations.

The Drop Belt is equipped with a deflector or shear rail which insures that lumber, cants or slabs will slide onto the belt.

A drop out space of 18" to 24" between the end of the Drop Belt and downstream rolls will remove knots, short slabs, etc., without lowering the belt.

The Drop Belt crank mechanism for raising and lowering the belt has been improved. It now uses dual cylinders, 1" thick flame cut arms and 3" diameter cam followers.

The Drop Belt frame has been improved. It is constructed of 1/4" wall structural tubing for added strength.

QM Blue Brute bearings are used on all pivots. These Bearings are double row spherical bearings with cast steel housings.

Heavy wall conveyor pulleys are standard on all Drop Belts.

SPECIFICATIONS

Top of Belt Height	32"
Minimum Carriage Height	38"
Belt	PVC CBS 350
Belt Widths	24" & 30"
Lengths	11'- 6", 13' & 15'
Driveshaft	2 7/16"
Bearings.....	QM Blue Brute
Drive	Sumitomo Cyclo Reducer With 5 Hp Motor
Drive Pulley	12" Diameter, 3/8" Wall With Lagging
Take Up Pulley	8" Diameter, 3/8" Wall
Air Cylinder	Dual 6" Bore Cushioned
Control	Electric Footswitch

Item Number	Description
24" Wide Drop Belt	

40E	11'-6" Drop Belt
40F	13' Drop Belt
40G	15' Drop Belt
40H	Retracting Pins
40N	5 Arm Cant Lift

30" Wide Drop Belt	
--------------------	--

40I	11'-6" Drop Belt
40J	13' Drop Belt
40K	15' Drop Belt
40L	Retracting Pins
40M	5 Arm Cant Lift

SOLD BY:

MELLOTT MFG. CO., INC.
 13156 Long Lane
 Mercersburg, PA 17236
 Phone: (717) 369-3125 Fax: (717) 369-2800
 www.mellottmfg.com

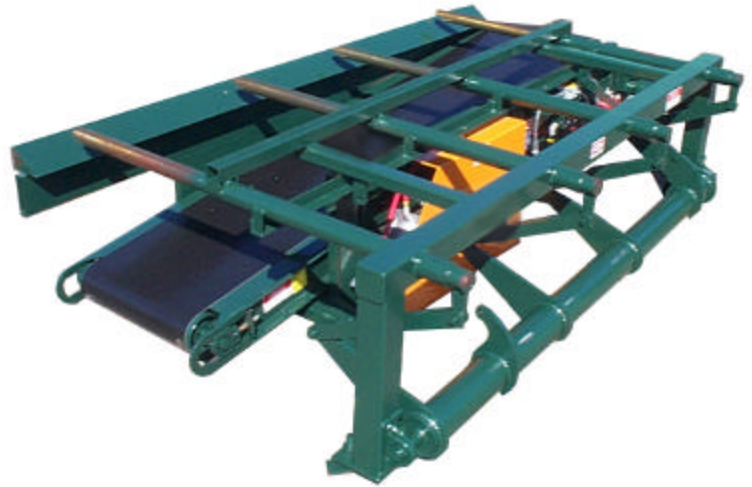
Mellott

LOG AND LUMBER HANDLING EQUIPMENT

DROP BELT

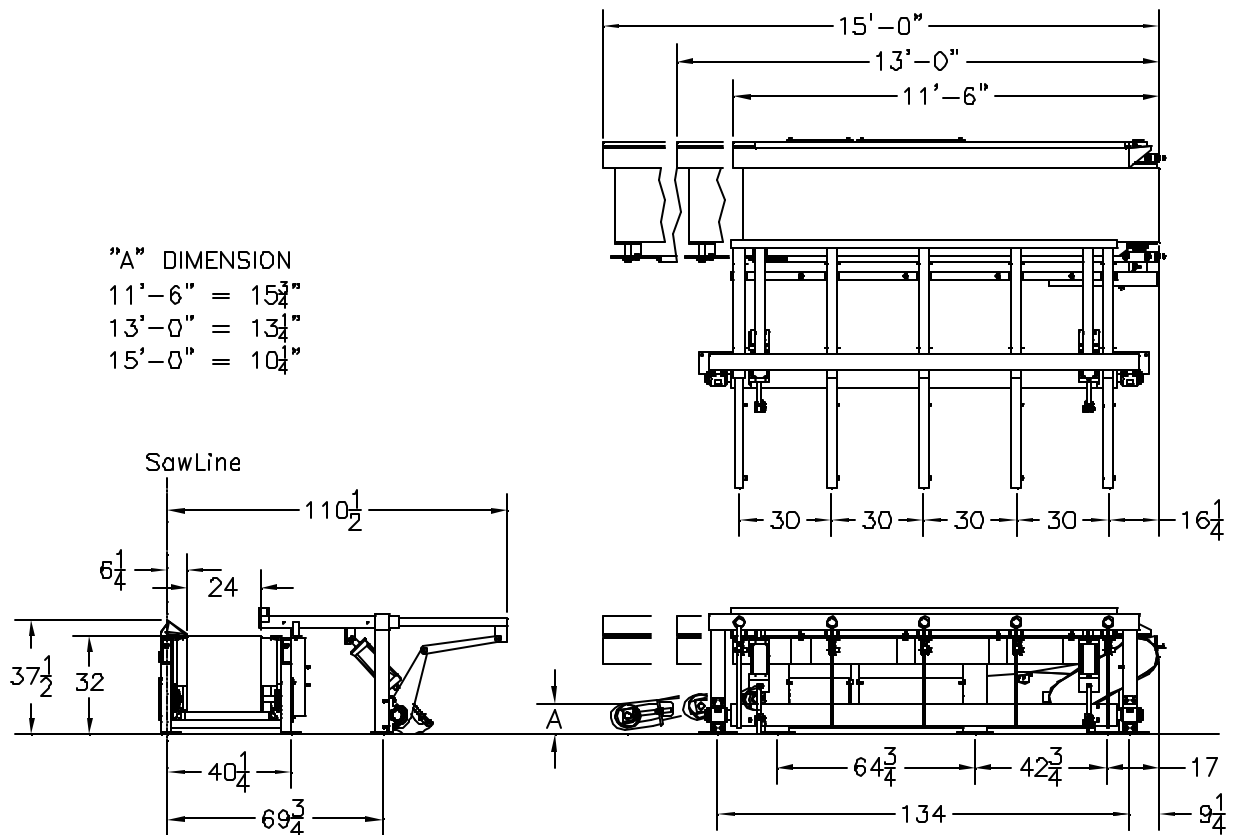


Optional Cant Lift Arms



Optional Retracting Pins

DIMENSIONS



24" Wide With Retracting Pins

MELLOTT MFG. CO., INC.

13156 Long Lane

Mercersburg, PA 17236

Phone: (717) 369-3125 Fax: (717) 369-2800

www.mellottmfg.com

SOLD BY: