

The Mellott logo consists of the word "Mellott" in a bold, black, sans-serif font, centered within a white oval. This oval is set against a solid red rectangular background.

LOG AND LUMBER HANDLING EQUIPMENT

LIVE DECKS



8' Live Deck, Right Hand With Standard Stop And Loader And Drive

FEATURES

The Mellott Live Decks are designed to convey logs in a variety of situations in sawmill operations.

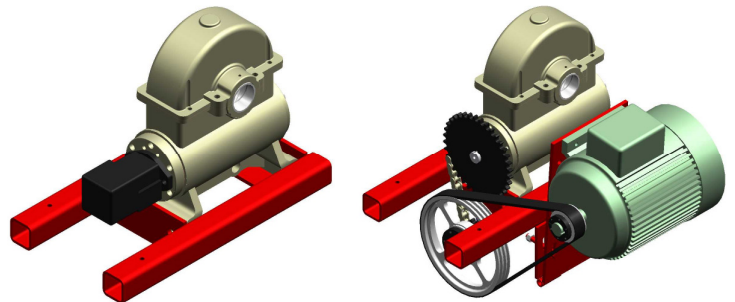
When these decks are used to convey logs to the carriage, the deck is controlled by two foot pedals. One pedal controls the forward and reverse movement of the chains. The other pedals controls the stop and loader. Joystick, pushbutton and lever controls are optional.

Chain return is through the steel skids making their operation clean and safe. Logs which may be placed on the deck in an angled position will be squared by the Stop and Loader prior to loading on the carriage.

Double shafts are eliminated and space is saved on the Mellott Live Decks by the use of our Stop and Loader that pivots around the deck headshaft and assembled with split Anson urethane bearings. The Stop and Loader can be operated by hydraulic or air cylinders.

Mellott Live Decks are available in three sizes, 5" Sq, 6" Sq. and 7" Sq. stacked tube with standard style or debarker style stop and loader arms and electric or hydraulic drives.

Standard spacings and lengths are available for quick delivery. Special spacing and lengths can be made to order.



DRIVES

The Mellott Live Decks are driven by either an electric or a hydraulic drive.

The hydraulic drive consists of a hydraulic motor that is plugged directly into a shaft mounted speed reducer. The reducer is mounted onto a torque frame. This drive assembly floats on the end of the shaft, reducing strain on the shaft and bearings.

The electric drive consists of an electric motor that transmits power by a belt to a counter shaft. A roller chain connects the counter shaft to reducer input shaft. This drive is also mounted onto a torque frame.

MELLOTT MFG. CO., INC.

13156 Long Lane
Mercersburg, PA 17236
Phone: (717) 369-3125 Fax: (717) 369-2800

SOLD BY:

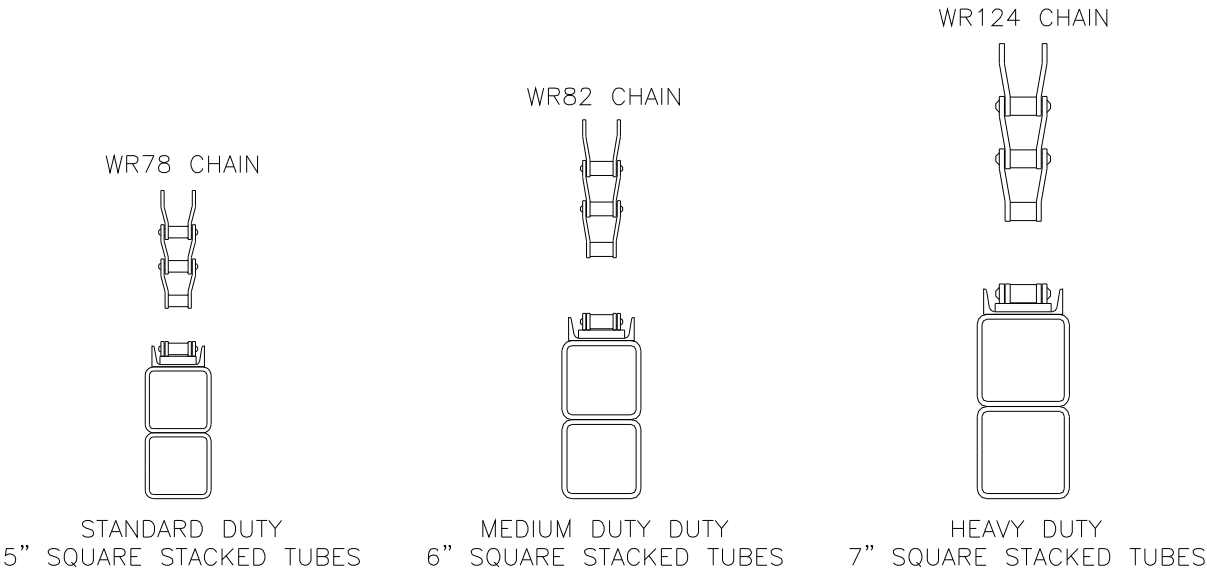


LOG AND LUMBER HANDLING EQUIPMENT

SPECIFICATIONS

	STANDARD DUTY DECK	MEDIUM DUTY DECK	HEAVY DUTY DECK
SKIDS - STACKED TUBE	5" SQ X 5/16" WALL TUBING	6" SQ X 3/8" WALL TUBING	7" SQ X 3/8" WALL TUBING
CROSS SILLS	W8 X 24# BEAM	W8 X 24# BEAM	W10 X 39# BEAM
WEAR STRIP	5/8" A. R. PLATE	5/8" A. R. PLATE	5/8" A. R. PLATE (UHMW OPT)
CHAIN	WH78	WH82	WR124
DRIVE	TULSA G23 REDUCER	TULSA G34 REDUCER	TULSA G64 REDUCER
HYDRAULIC MOTOR	CHAR-LYNN H SERIES	CHAR-LYNN 2000 SERIES	CHAR-LYNN 6000 SERIES
ELECTRIC MOTOR	5 OR 7.5 HORSEPOWER	7.5 OR 10 HORSEPOWER	15 HORSEPOWER
LOADER OPERATION	SINGLE CYLINDER	SINGLE CYLINDER	DUAL CYLINDERS
HEADSHAFT	2 7/16" DIAMETER	2 15/16" DIAMETER	3 7/16" DIAMETER
STANDARD LENGTH			
WITH NOSE SKIDS	22' -0"	22' -0"	30' -0"
WITH DEBARKER STOP AND LOADER	18' -9"	19' -2"	27' -0"
STANDARD SPACING			
2 CHAIN	72"	72"	72"
3 CHAIN	63 3/4", 51 3/4"	63 3/4", 51 3/4"	72", 48"
4 CHAIN	36", 36", 48"	36", 36", 48"	60", 36", 48"
NOTE: SPECIAL LENGTHS AND SPACINGS ARE AVAILABLE			

DECK SKID AND CHAIN COMPARISON



MELLOTT MFG. CO., INC.

13156 Long Lane
 Mercersburg, PA 17236
 Phone: (717) 369-3125 Fax: (717) 369-2800

SOLD BY: