



# LOG AND LUMBER HANDLING EQUIPMENT

## TYPE 3 UNSCRAMBLER WITH SINGULATOR



6 Chain Unscrambler with singulator and Even Ending Module

### FEATURES

The Mellott Type 3 Unscrambler with Singulator is designed to deliver one board per lug to other operations after package breakdown.

The unscrambler will handle boards up to 18" wide at a maximum feed rate of 50 boards per minute.

The singulator is driven by the unscrambler headshaft through a #80 roller chain. The singulator will only allow the lug to carry up one board at a time. The singulator also rejects boards that are being carried up the unscrambler incline crooked.

The Type 3 Unscrambler can be used as a basic unscrambler or can be used with the even ending module.

Special heights and chain spacings are available to meet your specific application.

### SPECIFICATIONS

Infeed Height .....	44"
Outfeed Height .....	66"
Chain Spacing - 3 Chain .....	60", 60"
4 Chain .....	34", 34", 34"
5 Chain .....	24", 24", 30", 48"
6 Chain .....	24", 24", 24", 30", 48"
Chain .....	81X
Headshaft .....	1 15/16"
Drive .....	Sumitomo Cyclo reducer with c-face motor

#### Item Number .....Description

187 .....	3 Chain Type 3 Unscrambler
187A .....	4 Chain Type 3 Unscrambler
187B .....	5 Chain Type 3 Unscrambler
187C .....	6 Chain Type 3 Unscrambler
187D .....	3 Chain Even Ending Module
187E .....	4 Chain Even Ending Module
187F .....	5 Chain Even Ending Module
187G .....	6 Chain Even Ending Module

**SOLD BY:**

### MELLOTT MFG. CO., INC.

13156 Long Lane  
 Mercersburg, PA 17236  
 Phone: (717) 369-3125 Fax: (717) 369-2800

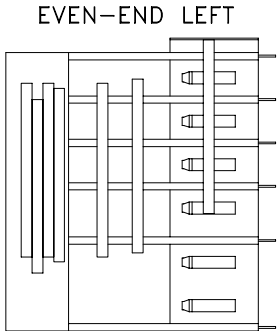
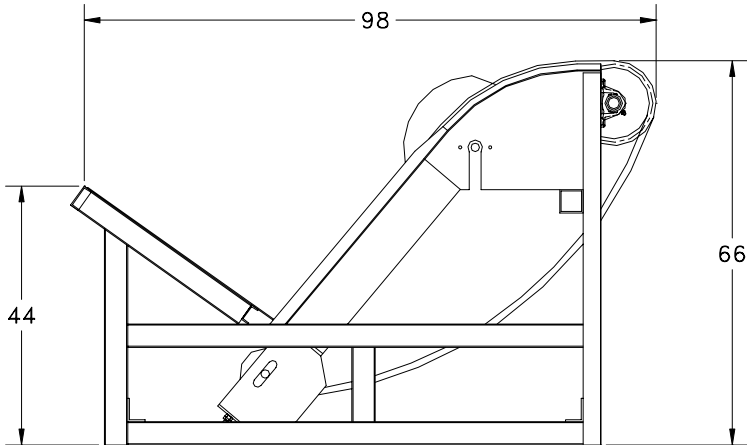


# LOG AND LUMBER HANDLING EQUIPMENT

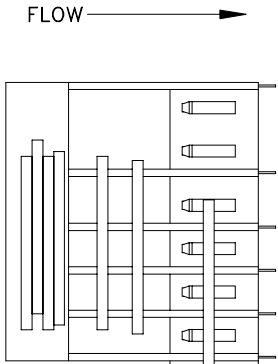
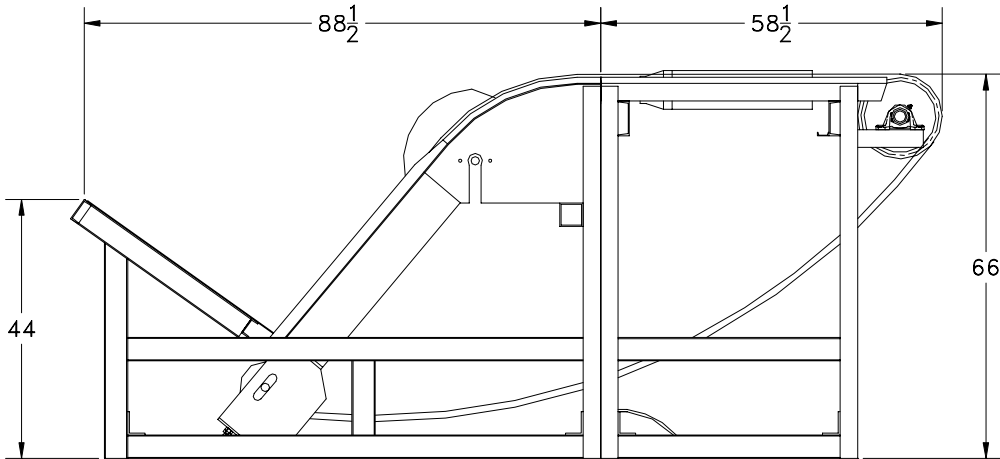
## TYPE 3 UNSCRAMBLER WITH SINGULATOR



### DIMENSIONS



FLOW →



FLOW →

**MELLOTT MFG. CO., INC.**

13156 Long Lane  
Mercersburg, PA 17236

Phone: (717) 369-3125 Fax: (717) 369-2800

**SOLD BY:**