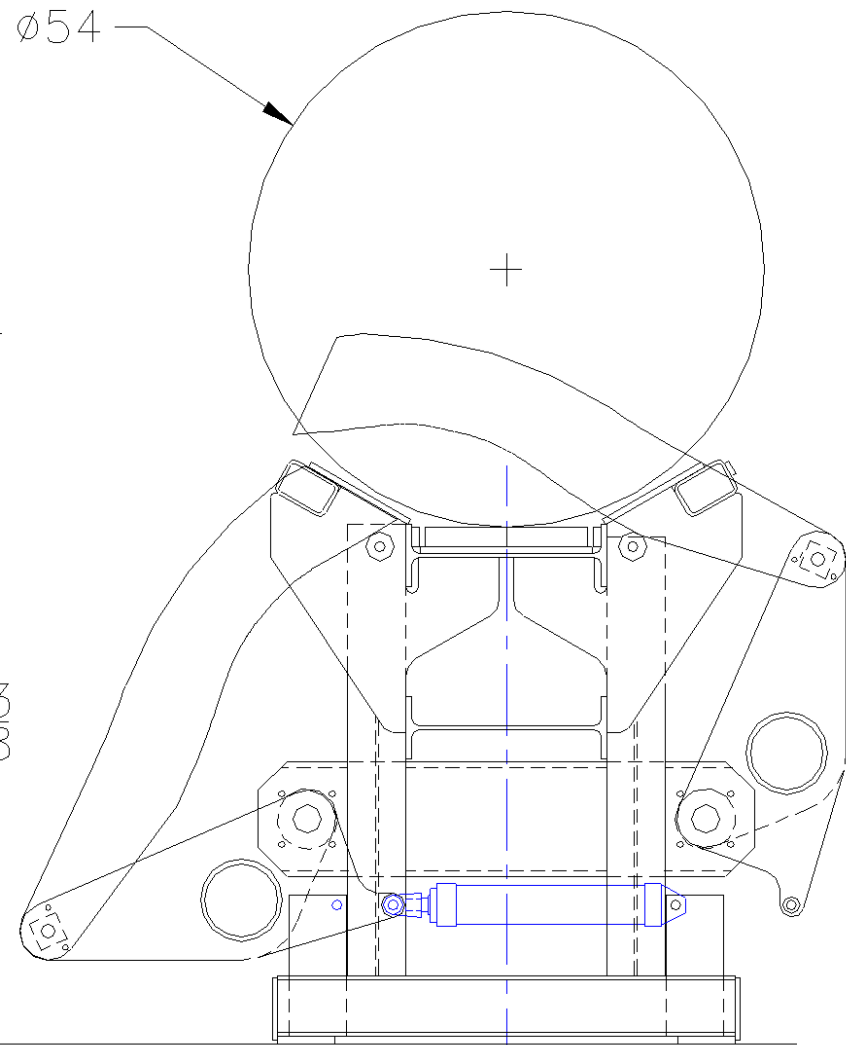


END VIEW WITH TRANSITION FROM DEBARKER  
AND REINFORCEMENT WITH BACKSTOP



END VIEW WITH DOUBLE KICKOFF