



# Mellott

## LOG AND LUMBER HANDLING SYSTEMS

### MODEL 8 LOG TURNER (SHORT MAST)



#### FEATURES

The Model 8 log turner is capable of turning both up and down.

The mast of the turner is constructed of 1/2" flame cut plates and has two heavy rubber down stops to extend the life of the cylinders.

Heavy construction and a simple design are used throughout the Model 8 in order to keep maintenance and down time to a minimum.

- Frame constructed of C10 X 15.3 Lb. channel
- Pivot shaft is 2 7/16" diameter
- Pivot bearings are spherical roller bearings
- Pivot bearings have cast steel housings
- The Log turning chain is Rc140
- The Log turning chain is direct driven by a Eaton 6000 series hydraulic motor
- The side and bottom chain wear plates are replaceable
- The turner has dual cylinders to reduce twisting strain of the mast

The Model 8 is pivoted on a 2 7/16" diameter shaft with double row spherical roller bearings with cast steel housings.

The log turning chain is driven by a Eaton 6000 series hydraulic motor and a Rc80 roller chain

#### MELLOTT MFG. CO., INC.

13156 Long Lane

Mercersburg, PA 17236

Phone: (717) 369-3125 Fax: (717) 369-2800

sales@mellottmfg.com

[www.mellottmfg.com](http://www.mellottmfg.com)

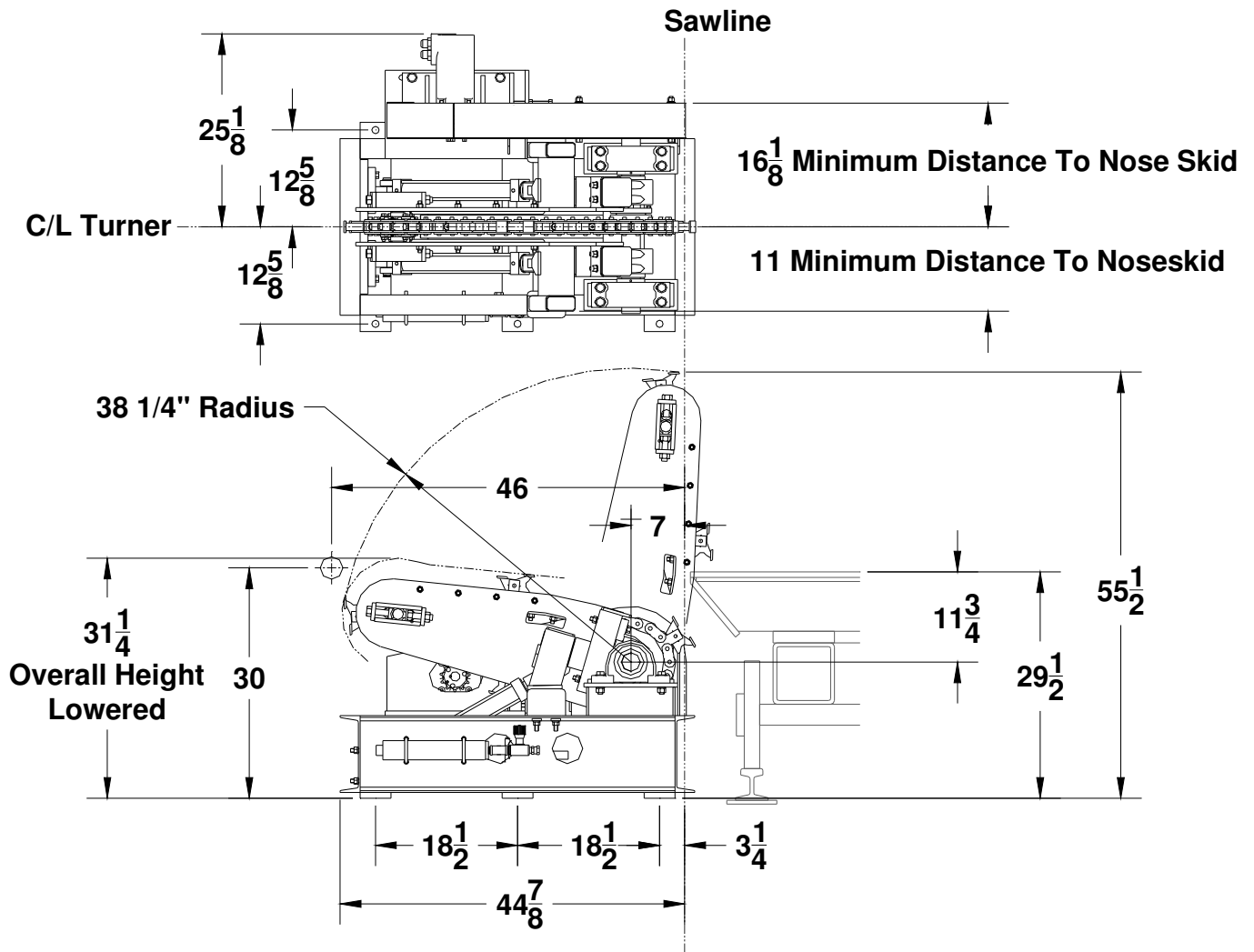


# LOG AND LUMBER HANDLING SYSTEMS

## MODEL 8 LOG TURNER (SHORT MAST)

### SPECIFICATIONS

Frame .....	C10 x 15.3 channel
Mast.....	(2) 1/2" flame cut plates
Pivot shaft.....	2 7/16" diameter
Pivot bearings.....	(2) Spherical roller bearings
Cylinders.....	(2) 2" bore X 14" stroke, 2500 psi rated hydraulic cylinders
Turning chain.....	RC 140 roller chain
Drive.....	Eaton 6000 series hydraulic motor
Drive sprocket.....	H140R18 with R1 - 2 7/16" bushing
Turning lugs.....	1" flame cut bar with A.R. 235 wear surface
Hydraulic requirements.....	18 gpm @ 1250 psi minimum, 22 gpm @ 1500 psi recommended
Control options.....	Manually operated control stick Electric joystick controller Hydraulic pilot joystick controller
Weight .....	900 Lbs.



### MELLOTT MFG. CO., INC.

13156 Long Lane  
 Mercersburg, PA 17236  
 Phone: (717) 369-3125 Fax: (717) 369-2800  
 sales@mellottmfg.com

[www.mellottmfg.com](http://www.mellottmfg.com)