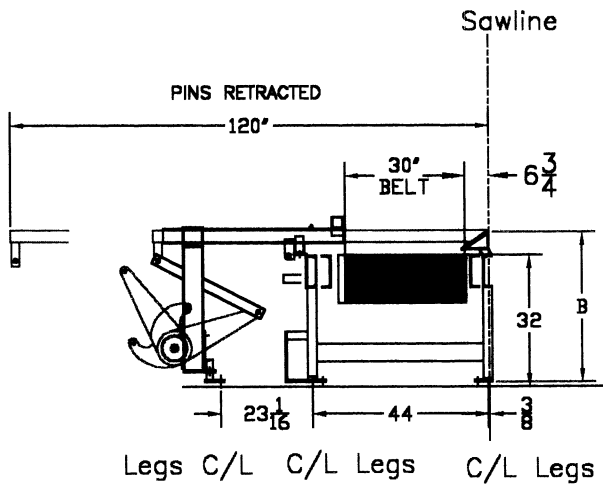
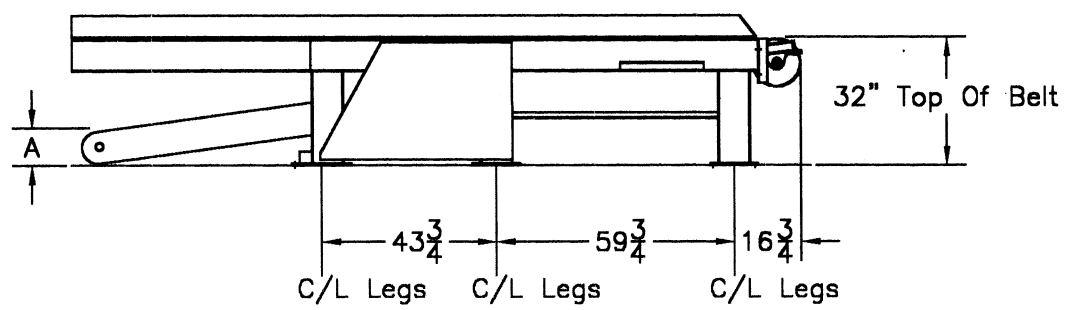


LENGTH 15'-0" 13'-0" 11'-6"  
 DIM A 9 1/2" 12 1/2" 15"



CARRIAGE: FRICK OTHER  
 DIM.B 39 1/2" 38"

- LENGTH OF DROP BELT
- RIGHT OR LEFT HAND MILL (RH SHOWN)
- ELECTRIC LIVE ROLL DRIVE OPTIONAL
- CONNECT TO OFFBEARER
- TYPE OF CARRIAGE
- -FRICK
- -OTHER

<b>MELLOTT MFG. CO., INC.</b>		
SCALE $1/4" = 1'$	DATE 6/06/97	DRAWN BY RLH
30" WIDE DROP BELT W/CAM ROLLERS &		
RETRACTING PINS INSTALLATION		DRAWING NUMBER WDBI-C