

PARTS LISTS

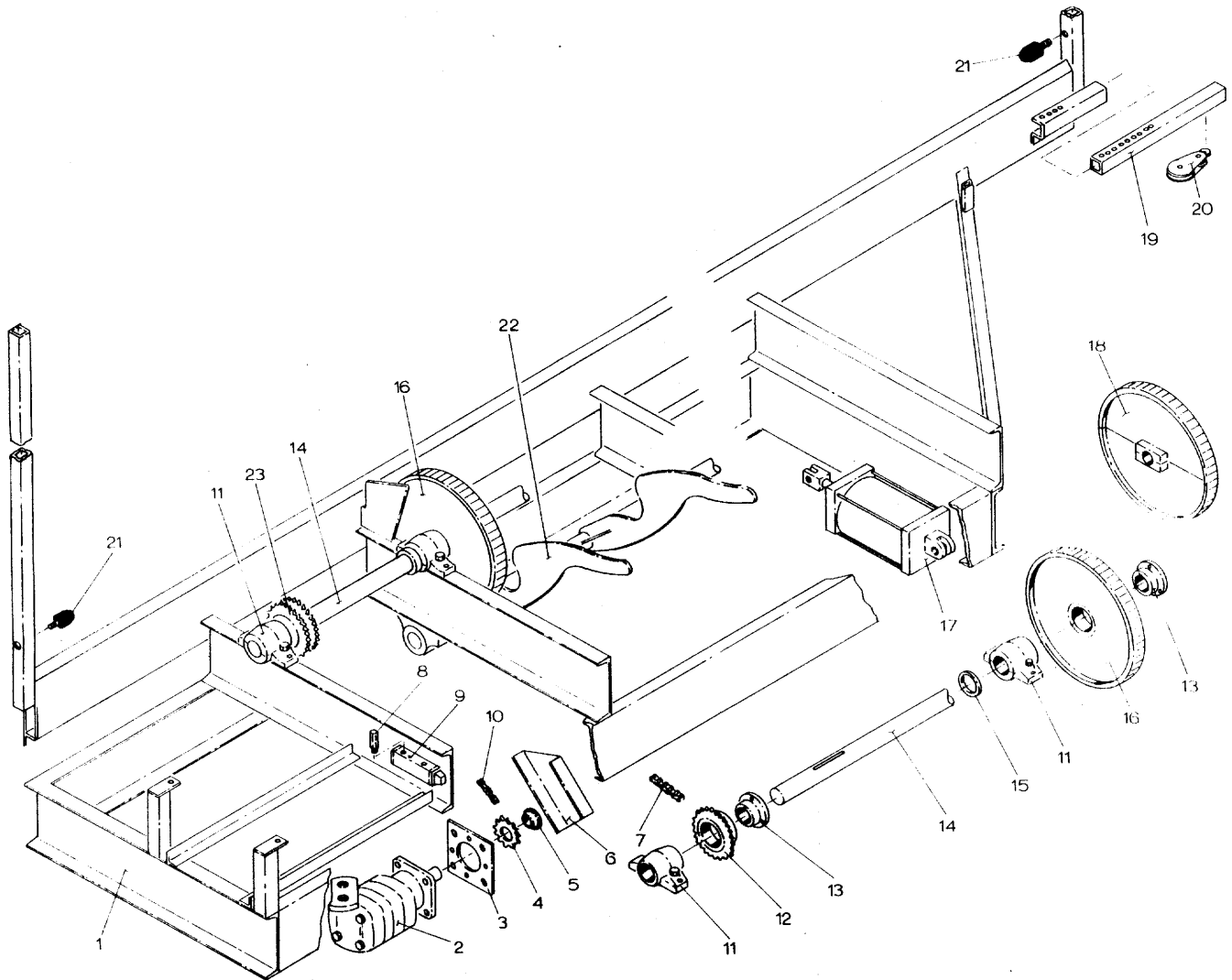
DEBARKER (36")

MODEL #200-6

SERIAL NO. _____

MELLOTT MANUFACTURING CO., INC.
13156 Long Lane
Mercersburg, PA 17236

MAIN FRAME



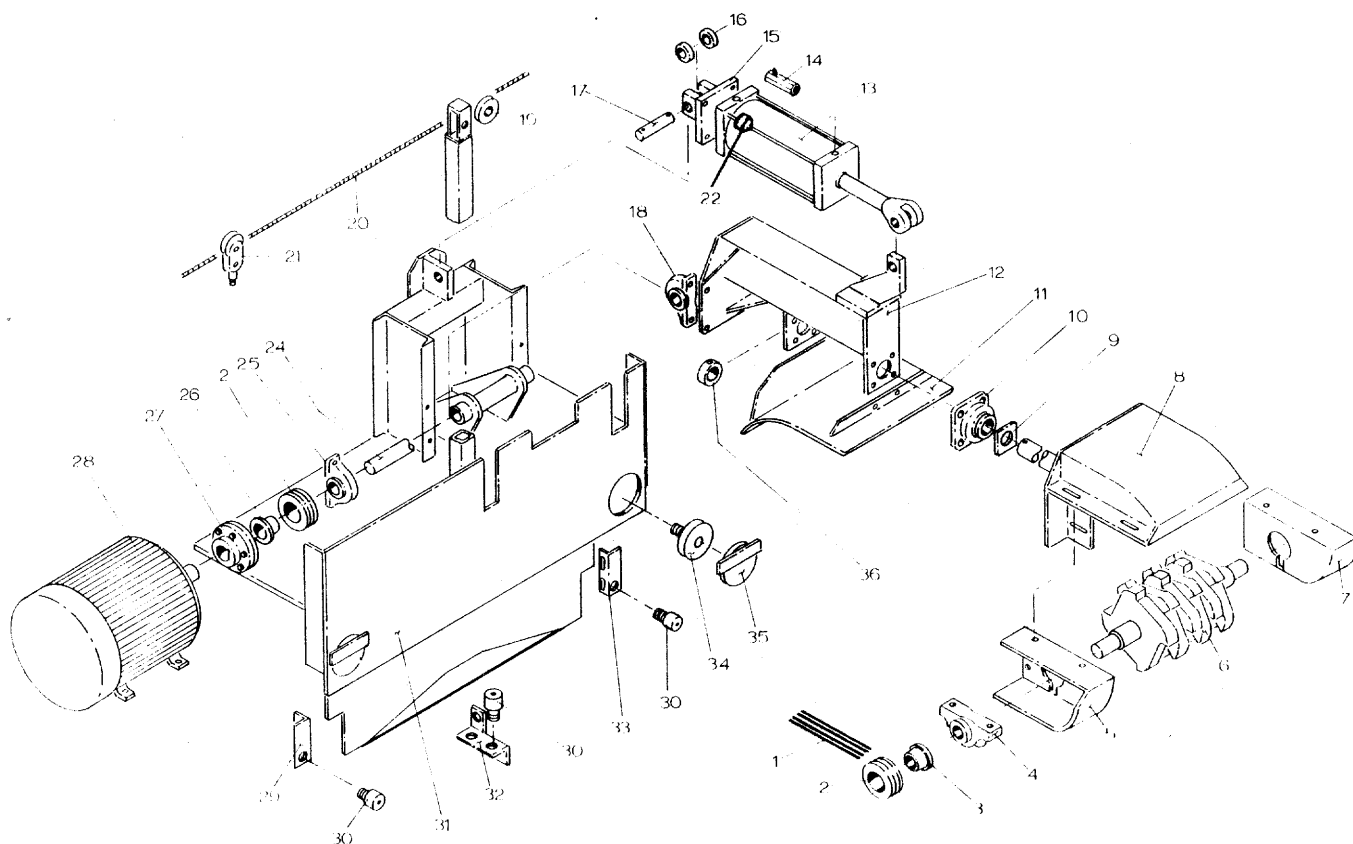
PARTS LIST

<u>REF. NO.</u>	<u>PART NO.</u>	<u>DESCRIPTION</u>	<u>QUANTITY</u>
1	10-20030	Main Frame	1
2	119-1031-002	Hydraulic Motor	1
3	10-20028	Plate, Hydraulic Motor Mtg.	1
4	H100Q12	Sprocket	1

MAIN FRAME PARTS LIST

<u>REF.</u> <u>NO.</u>	<u>PART</u> <u>NO.</u>	<u>DESCRIPTION</u>	<u>QUANTITY</u>
5	Q1 2-1/4	Bushing	1
6	10-20029	Shield	1
7	04-20001	Roller Chain RC100 68 pitches	1
8	266A	Exhaust Restrictor 1/2	2
9	MAC 6311A-311-PM-111DA	Valve, Solenoid Air 3/4	1
10	04-20003	Roller Chain RC100 73 pitches	1
11	2-1247 2-15/16	Bearing	17
12	18-10024-6	Sprocket	1
13	B1 2-15/16	Bushing	14
14	16-20080	Shaft	2
15	10-20002	Set Collar	6
16	10-20001	Bull Wheel	12
17	5000	Air Cylinder 8 x 12	1
18	10-20031	Split Bull Wheel	
19	10-20024	Tube, Take-up	1
20	L5T 3/8	Tail Board	1
21	540	Rubber Bumper	2
22	10-20004	Kickoff Weldment	1
23	18-10024D-6	Sprocket	1

CARRIAGE (200-6)



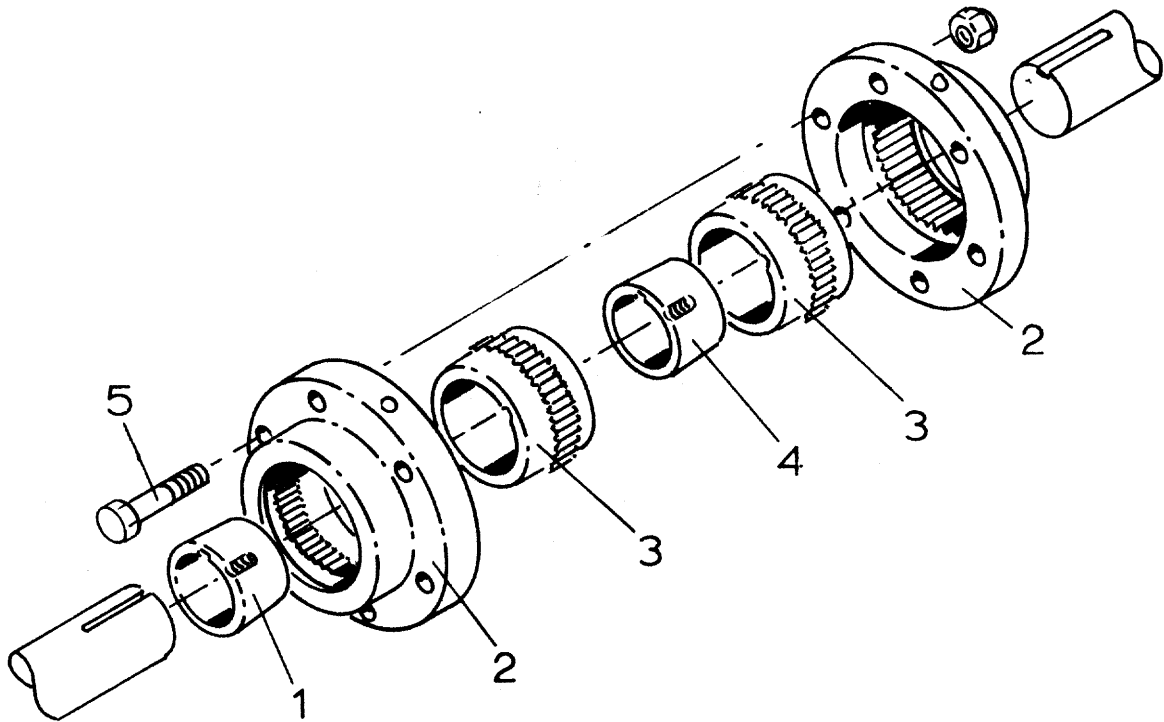
PARTS LIST

<u>REF. NO.</u>	<u>PART NO.</u>	<u>DESCRIPTION</u>	<u>QUANTITY</u>
1	B98	V-Belt	8
2	4B x 5.6	Sheave	4
3	SD 1-15/16	Bushing	2
4	RPB-203-2	Bearing	2
5	10-20043	Shield, Housing LH	1
6	10-20022	Cutter Head	1
7	10-20044	Shield, Housing RH	1
8	10-20045	Head, Housing	1
9	10-20019	Washer, Plastic	1

CARRIAGE (200-6) PARTS LIST

<u>REF. NO.</u>	<u>PART NO.</u>	<u>DESCRIPTION</u>	<u>QUANTITY</u>
10	F3U231H	Bearing 1-15/16	2
11	10-20017	Shield	1
12	10-20040	Frame, Head Housing Support	1
13	MPII	Air Cylinder 5" x 14"	1
14	F30S	Flow Restrictor	2
15	10-20042	Clevis, Base End	1
16	FS55505	Bearing	2
17	10-20041	Pin	1
18	PB250 2-7/16	Bearing	2
19	3-1	Sheave 3" OD	1
20	1/4	Cable 1/4"	1
21	T-2	Carrier, Trolley	8
22	LS20NOLH	Limit Switch	1
24	16-20048	Shaft	1
25	RASC 1-3/4	Bearing	2
26	SD 1-3/4	Bushing	2
27	2W	Coupling	1
28	30HP/1800 RPM	Electric Motor	1
29	10-20010	Bracket, Mounting LH	1
30	PLR-2-1/2	Load Runner	4
31	10-20039	Carriage	1
32	10-20012	Bracket, Mounting	1
33	10-20013	Bracket, Mounting RH	1
34	VLR-5-1/2	Load Runner V-Groove	2
35	10-20014	Cover Plate	2
36	10-20015	Set Collar	1

GEAR COUPLING



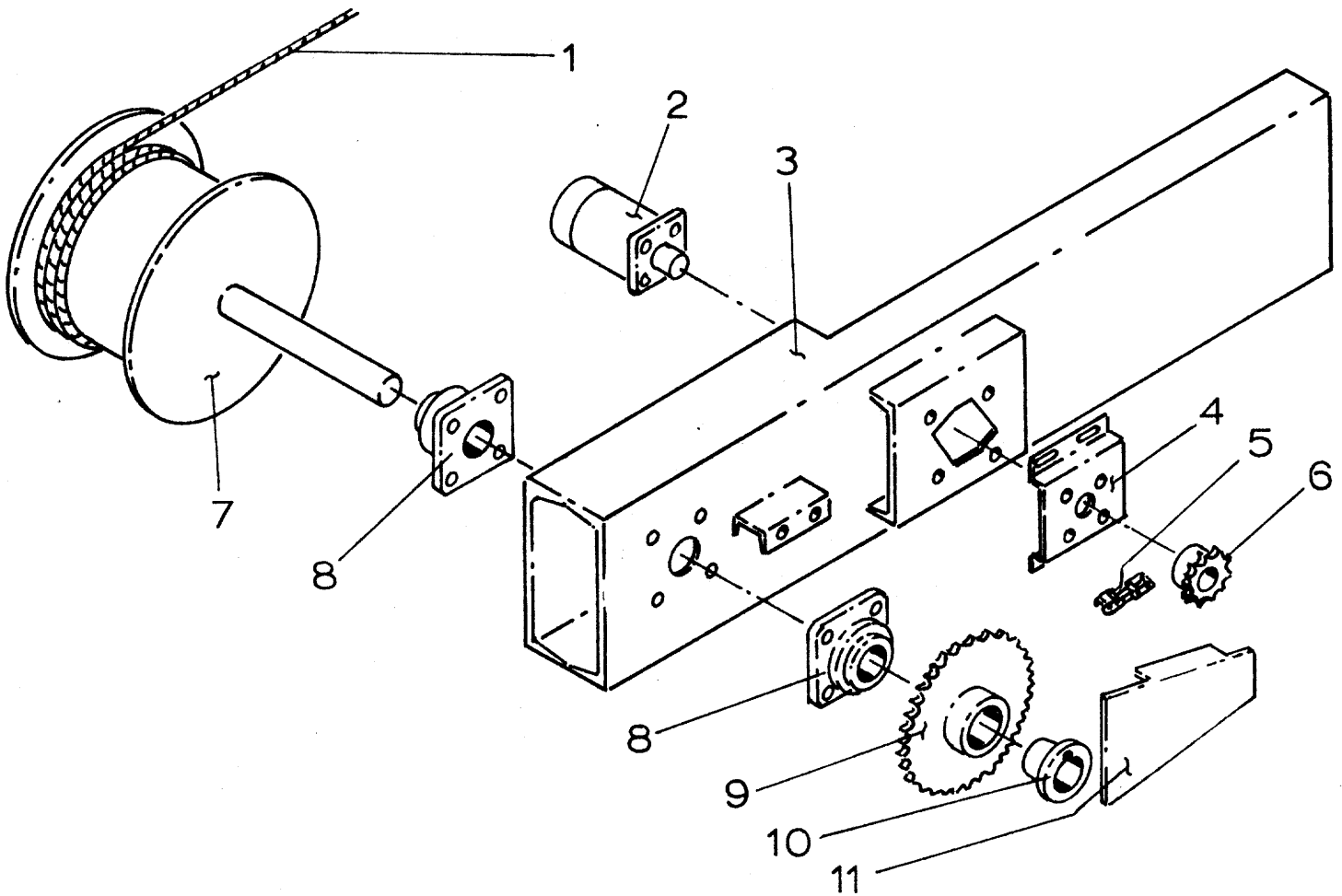
PARTS LIST

<u>REF. NO.</u>	<u>PART NO.</u>	<u>DESCRIPTION</u>	<u>QTY.</u>
1	2012	Bushing 1-7/8"	1
2	149812/2W	Sleeve Assembly, Gear Coupling	2
3	008502/2W	Taper Lock Hub, Gear Coupling	2
4	2012	Bushing 1-3/4"	1
5	149777/2W	Accessory Kit, Gear Coupling	1

149230

SEAL FOR SLEEVE ASSBY

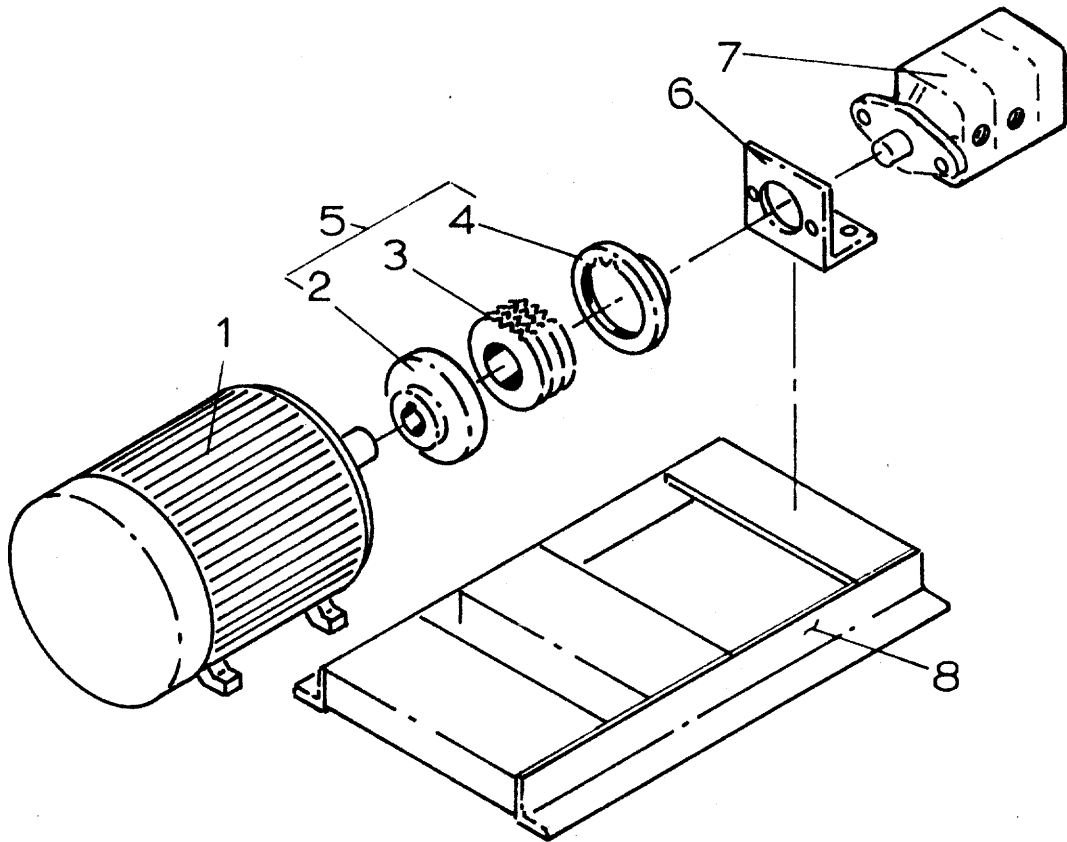
CARRIAGE DRIVE



PARTS LIST

<u>REF. NO.</u>	<u>PART NO.</u>	<u>DESCRIPTION</u>	<u>QTY.</u>
1	3/8" x 98'	Cable 3/8"	1
2	101-1004-007	Hydraulic Motor	1
3	10-20007	Frame, Cable Drum	1
4	10-20027	Bracket, Hydraulic Motor Mtg.	1
5	04-20002	Roller Chain RC 60 81 pitches	1
6	60SH14H/SH1"	Sprocket w/ Bushing	1
7	10-20008	Cable Drum	1
8	SF 1-15/16"	Bearing	2
9	60Q-45	Sprocket	1
10	Q1 1-15/16"	Bushing	1
11	10-20006	Shield	1

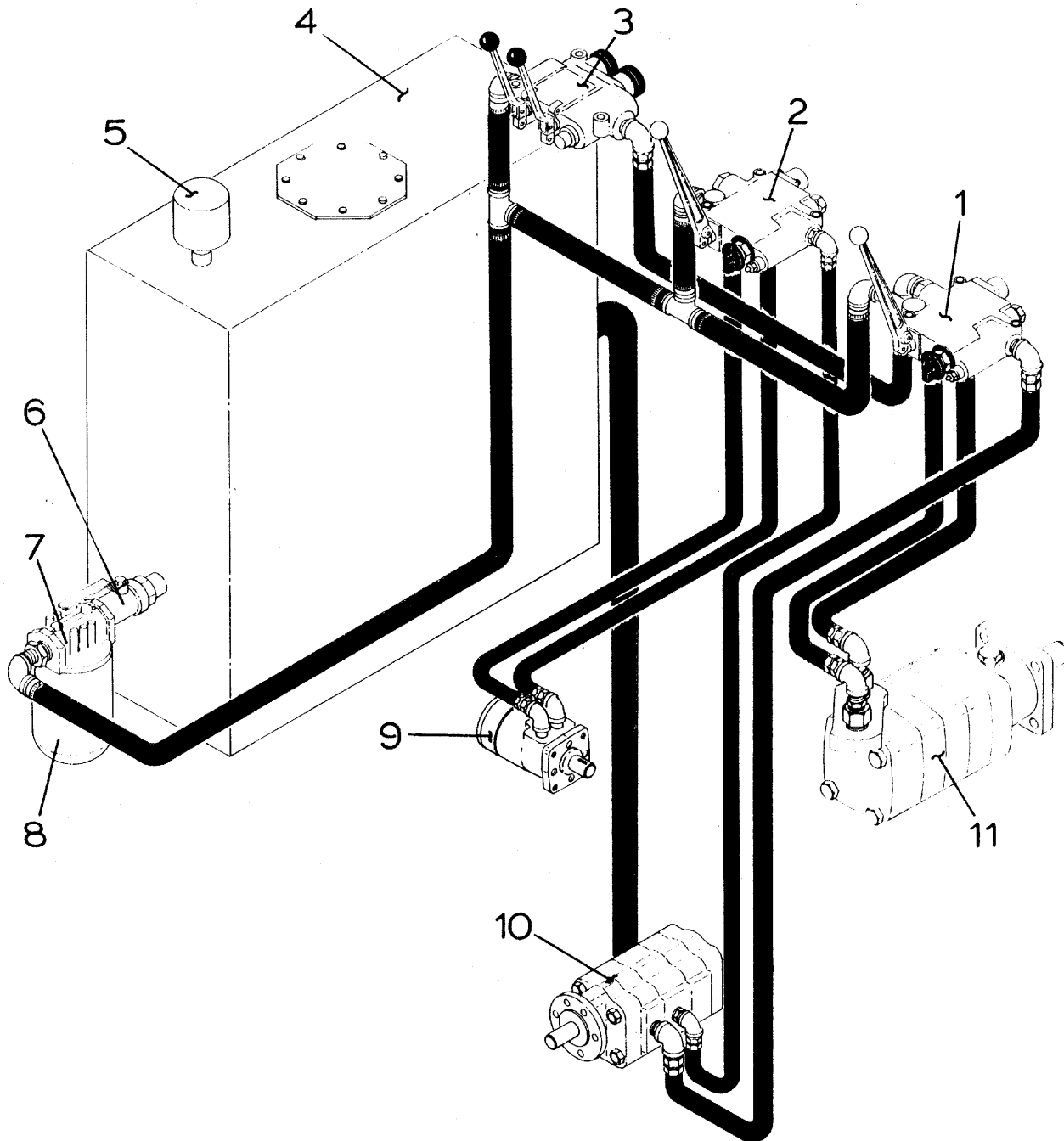
HYDRAULIC POWER SOURCE



PARTS LIST

<u>REF. NO.</u>	<u>PART NO.</u>	<u>DESCRIPTION</u>	<u>QTY.</u>
1	15HP/1800RPM	Electric Motor	1
2	8S 1-5/8"	Flange, Coupling	
3	8JE	Sleeve, Coupling	
4	8S 1"	Flange, Coupling	
5	8	Flex Coupling Complete	1
6	10-20035	Bracket, Pump Mounting	1
7	P30B294BIEC10-43	Pump	1
8	10-1502	Base, Motor	1

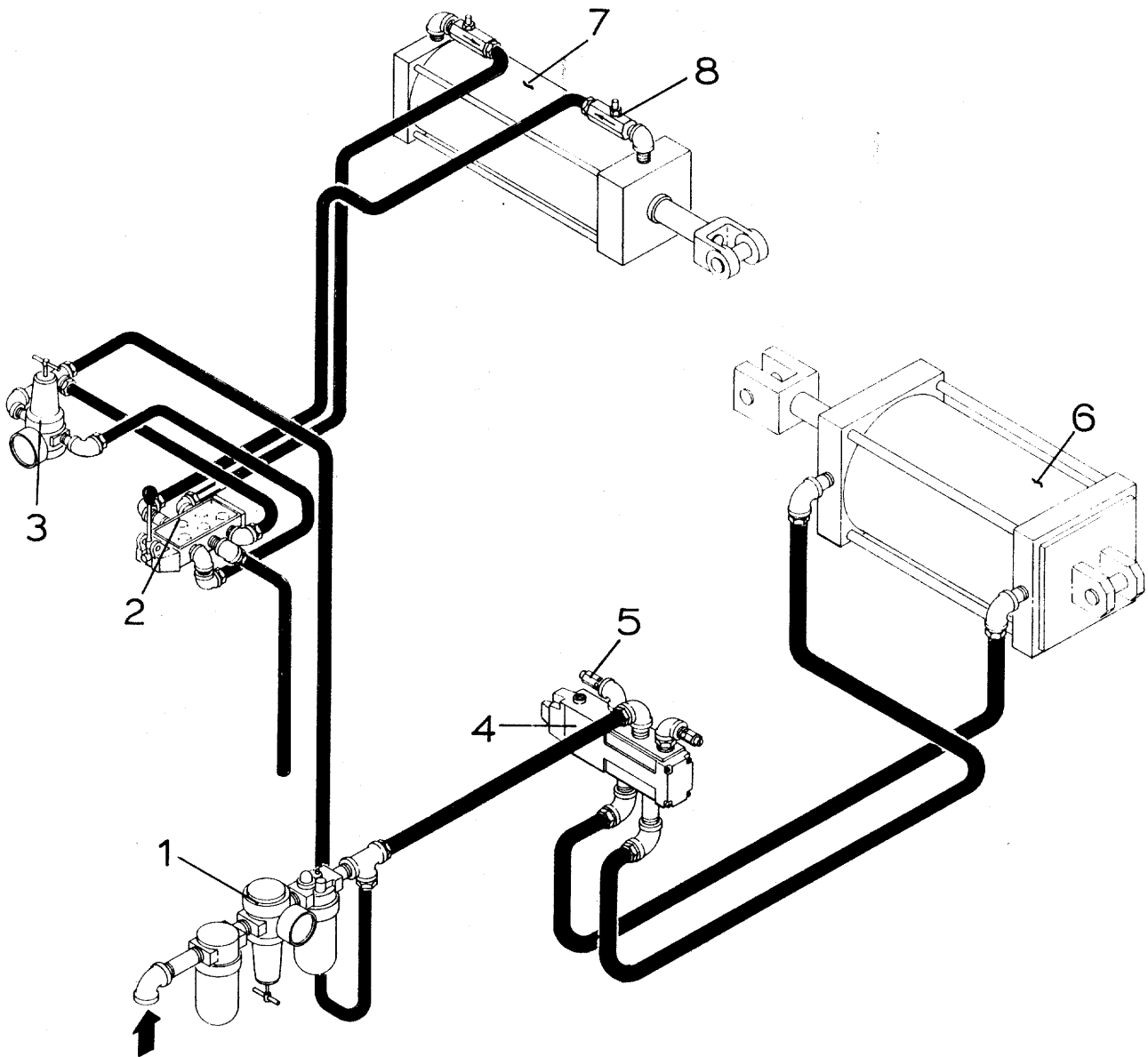
HYDRAULIC SYSTEM



PARTS LIST

REF. NO.	PART NO.	DESCRIPTION	QTY.
1	BC5BGIE4B0	Valve, Hydraulic	1
2	BC5AF32A3	Valve, Hydraulic	1
3	20-SPXE 4-4	Valve, Hydraulic	1
4	10-20009	Hydraulic Tank (includes #5)	1
5	TB-764	Breather	1
6	B6000	Valve	1
7	FS251-100E	Filter (complete w/cartridge)	1
8	K23018	Filter Cartridge	1
9	101-1004-007	Hydraulic Motor	1
10	P30B294BIEC 10-43	Pump	1
11	119-1031-002	Hydraulic Motor	1
N/S	M-340	Internal Oil Filter	1

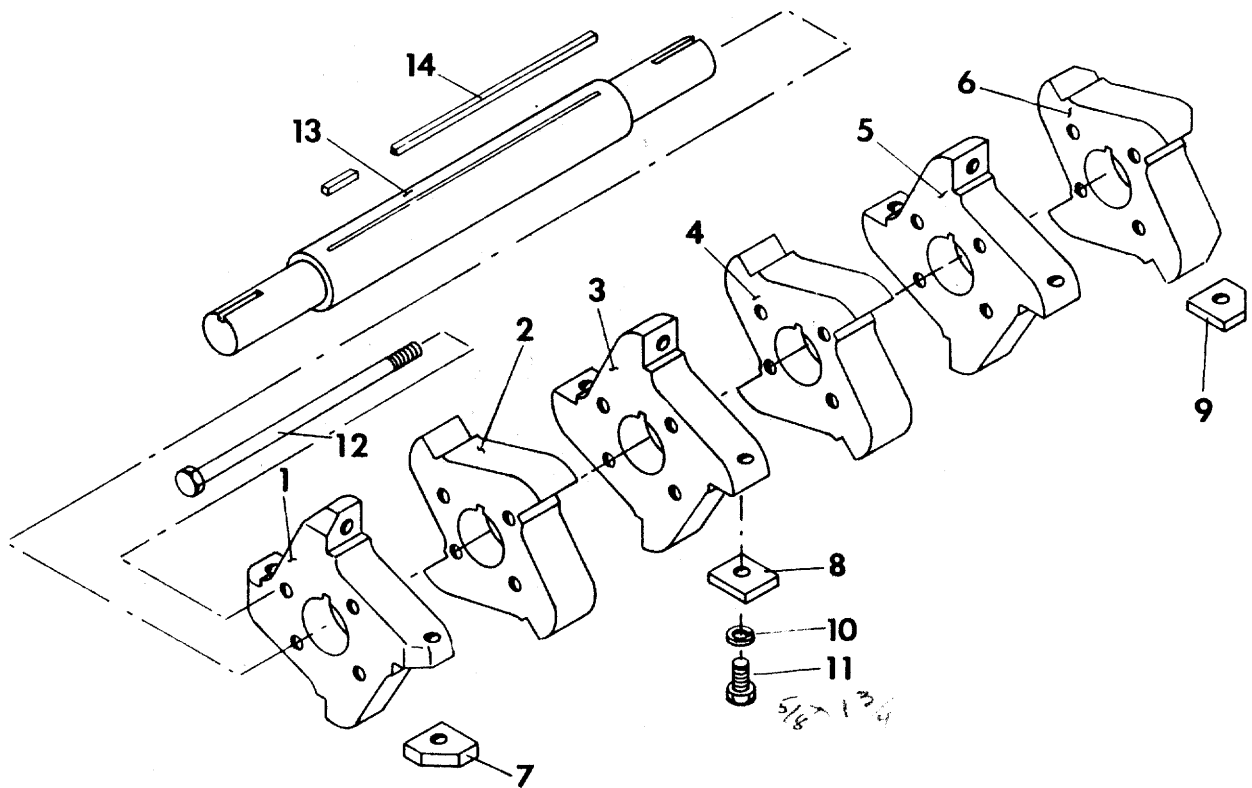
AIR SYSTEM



PARTS LIST

<u>REF. NO.</u>	<u>PART NO.</u>	<u>DESCRIPTION</u>	<u>QTY.</u>
1	07A44A18A1BA	Filter, Regulator, Lubricator	1
2	S3LOJCX4	Valve, Air	1
X	P78520 <i>NOT USED</i>	Nut	1
	06R213A <i>3/1/84</i>	Regulator	1
	P781642	Gauge	1
4	S4K0AAL5	Valve, Solenoid Air 3/4"	1
5	266A	Exhaust Restrictor 1/2"	2
6	5000	Air Cylinder 8 x 12"	1
7	MPII	Air Cylinder 5 x 14" (MAGNO)	1
8	F30S	Flow Restrictor	2

CUTTER HEAD (10-20034)

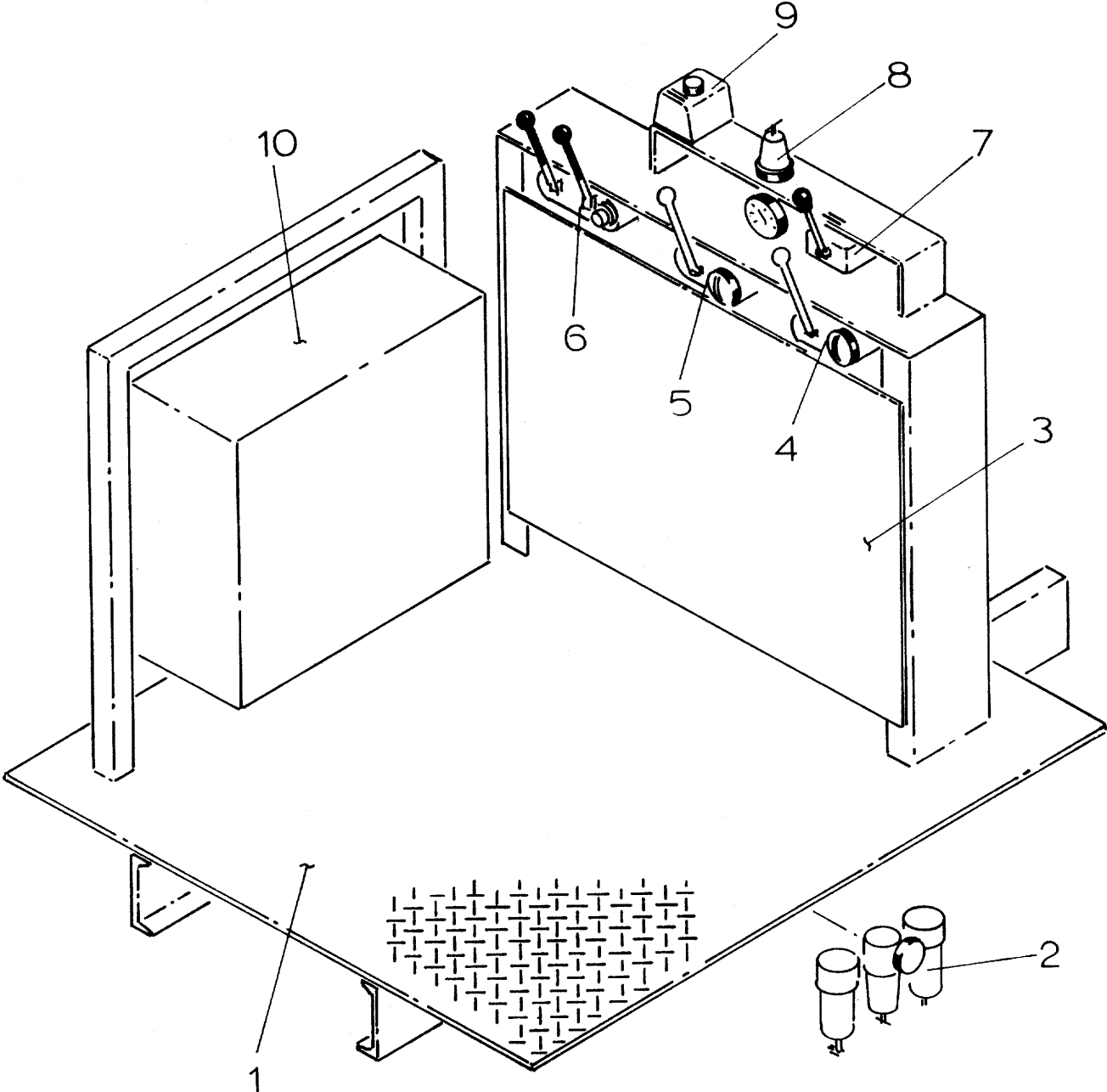


PARTS LIST

<u>REF. NO.</u>	<u>PART NO.</u>	<u>DESCRIPTION</u>	<u>QUANTITY</u>
1	10-20022-1	Segment, Cutter #1	1
2	10-20022-2	Segment, Cutter #2	1
3	10-20022-3	Segment, Cutter #3	1
4	10-20022-4	Segment, Cutter #4	1
5	10-20022-5	Segment, Cutter #5	1
6	10-20022-6	Segment, Cutter #6	1
7	10-20022-7	Bits, Cutter LH (Summer Req.)	4
8	10-20022-8	Bits, Cutter STR (Summer Req.)	16
9	10-20022-9	Bits, Cutter RH (Summer Req.)	4
10	10-20022-10	Lock Washer	24
11	10-20022-11	Cap Screw $\frac{5}{8} \times 1\frac{3}{4}$	24
12	10-20022-12	Tie Bolt	4
13	10-20034-13	Shaft	1
14	10-20022-14	Key	1

200-3, 200-4, 200-5
200-6

OPERATOR'S PLATFORM



OPERATOR'S PLATFORM

PARTS LIST

<u>REF. NO.</u>	<u>PART NO.</u>	<u>DESCRIPTION</u>	<u>QUANTITY</u>
1	10-20026	Platform, Operator	1
2	07A44A18A1BA	Filter, Regulator, Lubricator	1
3	10-20025	Cover, Control Stand	1
4	BC5BG1E4B0	Valve, Hydraulic	1
5	BC5AF32A0	Valve, Hydraulic	1
6	20-SPXE 4-4	Valve, Hydraulic	1
7	S3LOJCX4	Valve, Air	1
8	P78520 NOT USED	Nut	1
	06R213A 3/1/84	Regulator	1
	P781642	Gauge	1
9	800T-B2A	Push Button Switch	1
10		Combination Starter	1
	CHB-38-20011	Relay	1
	RB11-PC	Socket	1
	S30021-503-51	Transformer	1
	AP2	Fuse Holder	1
	MDX5	Fuse	1

200-2, 200-3, 200-4, 200-5
200-6