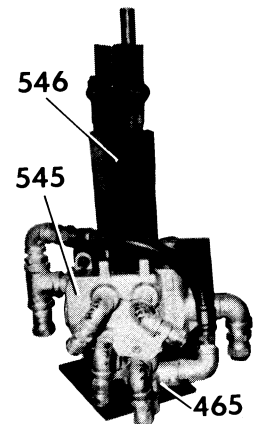
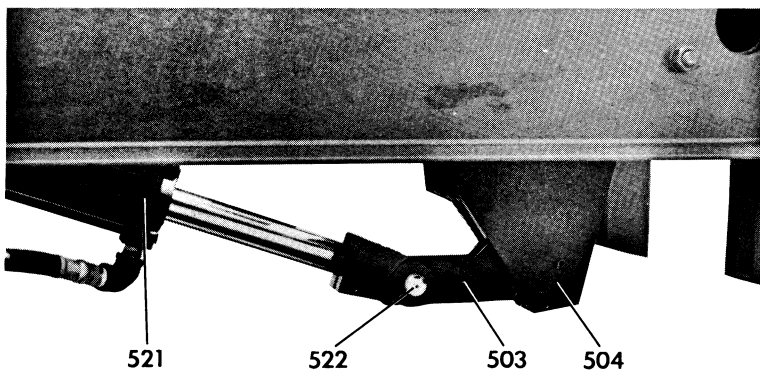
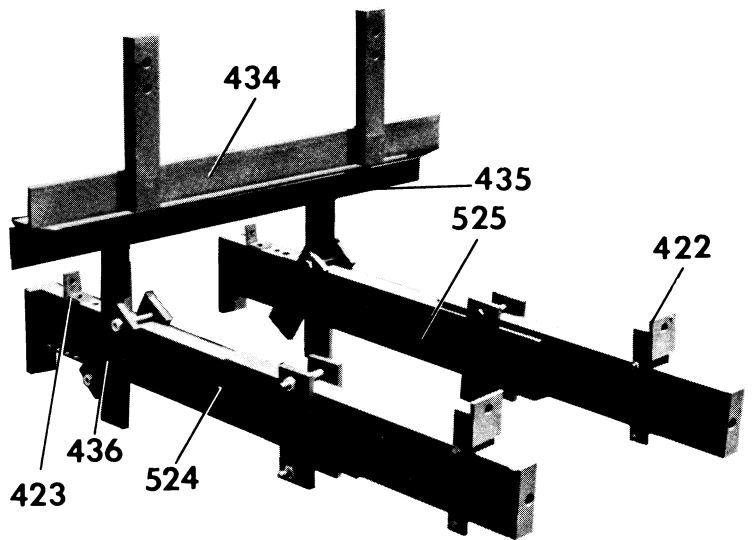
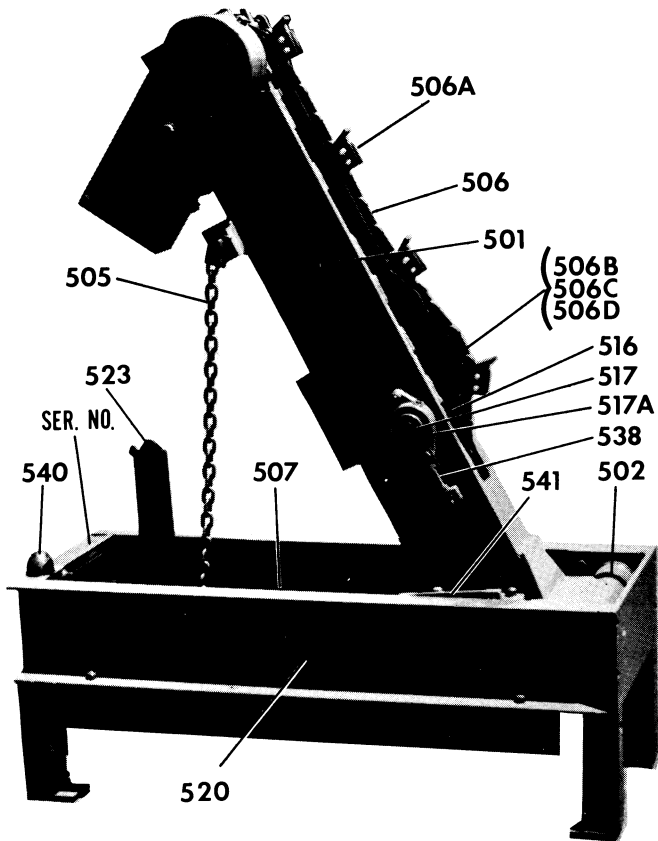
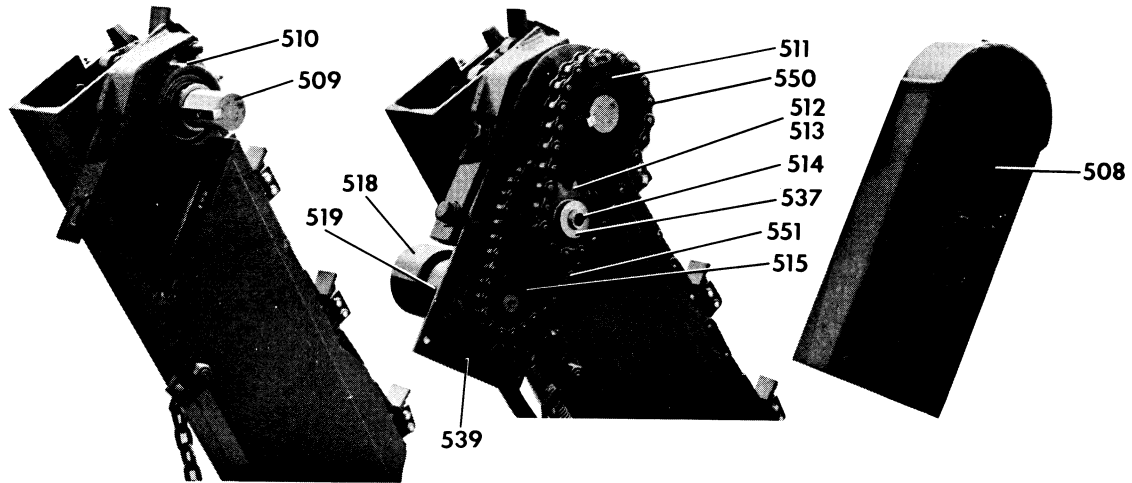


# MELLOTT

# Illustrated Parts List

## Model 5 Log Turner



# Model 5 Log Turner

## Parts List

Part No.	Description	No. Req'd
422	Sliding Mounting Bracket (with Bolts) . . . . .	2
423	Mounting Brackets (with Bolts) . . . . .	2
434	Anti-Derail Attachment (Carriage) . . . . .	1
435	Anti-Derail Attachment (Log Turner) . . . . .	1
436	Anti-Derail Clamp (with Bolts) . . . . .	4
465	Excess Pressure Release Complete (with Hose, Fittings, etc.) . . . . .	1
501	Vertical Lifting Frame . . . . .	1
502	Vertical Lifting Frame Bearings . . . . .	2
503	Vertical Lifting Frame to Cylinder Link . . . . .	1
504	Vertical Lifting Frame Link Pin . . . . .	1
505	Vertical Lifting Frame Limit Chain (with Bolts) . . . . .	1
506	Log Turning Chain Complete (with Log Lugs) . . . . .	1
506A	Log Turning Chain Lugs (with Attachment Bolts) . . . . .	8
506B	Connecting Links for Log Turning Chain (C2102)	
506C	Roller Links, plain (C2102)	
506D	Roller Links for C2102 Chain w/M2 Attachment	
507	Return Spring (not shown) . . . . .	1
508	Chain Speed Reduction Cover . . . . .	1
509	Main Drive Sprocket and Shaft Weldment . . . . .	1
510	Main Drive Bearings . . . . .	2
511	Main Drive Driven Sprocket . . . . .	1
512	Idler Sprocket Assembly Complete . . . . .	1
513	Idler Sprocket Bearings (not shown) . . . . .	2
514	Idler Sprocket Sleeve (see Spacer Part 537) . . . . .	1
515	Hydraulic Motor Sprocket (60B13—1" bore) . . . . .	1
516	Log Chain Idler Sprocket (5 Tooth) - (not shown) . . . . .	1
517	Log Chain Idler Sprocket Shaft (see Adjusting Bolt Part 538) . . . . .	1
517A	Log Chain Idler Sprocket Bearing (specify shaft dia. 7/8" or 1 1/4" when ordering) . . . . .	2
518	Hydraulic Motor (with Fittings) - (use Motor Mfrs. Parts List for Parts) . . . . .	1
519	Hydraulic Motor Mounting Bracket (not shown) . . . . .	1
520	Main Frame . . . . .	1
521	Vertical Lifting Frame Operating Cylinder . . . . .	1
522	Operating Cylinder Pin (with Locks) . . . . .	2
523	Accumulator Complete (with Fittings) . . . . .	1
524	Left Frame Extension . . . . .	1
525	Right Frame Extension . . . . .	1
537	Idler Sprocket Spacer . . . . .	1
538	Idler Sprocket Adjusting Bolts . . . . .	2
539	Chain Speed Reduction Mounting Plate . . . . .	1
540	Rubber Bumper . . . . .	1
541	Return Spring Link and Pin . . . . .	1
545	Hand-Operated Control Valve Complete (with Fittings) . . . . .	1
546	Hand-Operated Control Valve Stand (less Valve and Fittings) . . . . .	1
550	Top Drive Chain (No. 80 - 26 Links) . . . . .	1
551	Lower Drive Chain (No. 60 - 32 Links) . . . . .	1
	1/2" x 12 ft. High Pressure Hoses — control valve to log turner . . . . .	4
	1/2" x 62 in. High Pressure Hoses w/Wire Guard — to log turner motor . . . . .	2
	1/2" x 1 ft. High Pressure Hose — external relief . . . . .	1
	1/2" x 2 ft. High Pressure Hose — accumulator to cylinder . . . . .	1

NOTE: All Hydraulic Items are of highest grade and furnished by responsible manufacturers. The local distributor of these items can save you time and money on repair parts and service.